

NATIONAL ORGANIZATION
SONS OF UNION VETERANS OF THE CIVIL WAR

CIVIL WAR MEMORIAL ASSESSMENT FORM

PLEASE:

- Type or print, using a ball-point pen, when filling out this form. Legibility is critical.
- Do not guess at the information. An answer of, "Unknown," is more helpful.
- Include a photograph of each viewable side and label it with name & direction of view.

- Thank You.

Type of Memorial

Monument *with* Sculpture Monument with Cannon + *Mortar*
 Monument *without* Sculpture Historical Marker Plaque

Affiliation

G.A.R. (Post Name & No. POST 202) M.O.L.L.U.S.
 W.R.C. (Corps Name & No. _____) Other Allied Order
 SUVCW (Camp Name & No. _____) (Please describe below)
 DUVCW (Tent Name & No. _____)
 Other: _____

Original Dedication Date 1897 Please consult any/all newspaper archives for a local paper's article that would have information on the *first* dedication ceremony and/or other facts on the memorial. Please submit a copy of your findings with full identification of the paper & date of publication. Thank you.

Location

The Memorial is *currently* located at: Romeo Cemetery
 Street/Road address or site location 32 MILE ROAD, SEC 34
 City/Village ROMEO Township Bruce County MACOMB

The front of the Memorial faces: North South East West

Government Body, Agency, or Individual Owner (of private cemetery that Memorial is located in)...

Name CITY OF ROMEO Dept./Div. DPW
 Street Address 121 W. St. Clair
 City Romeo State MI Zip Code 48065
 Contact Person CITY CLERK Telephone (810) 752-3565

If the Memorial has been moved, please list former location(s)...

Physical Details

Material of Monument or base under a Sculpture or Cannon = Stone Concrete Metal Undetermined
 If known, name specific material (color of granite, marble, etc.) _____

Material of the Sculpture = ___ Stone ___ Concrete ___ Metal ___ Undetermined
 If known, name specific material (color of granite, marble, etc.) _____
 If the Sculpture is of metal, is it solid cast or "hollow?" _____

Material of Plaque or Historical Marker / Tablet = _____

Material of ~~Cannon~~ ^{MORTAR} = ___ Bronze Iron - Consult known Ordnance Listing to confirm
 Markings on muzzle = _____
 Markings on Left Trunion _____ Right Trunion _____
 Is inert ammunition a part of the Memorial? ___ If so, describe _____

Approximate Dimensions (indicate unit of measure) - taken from tallest / widest points
 Monument or Base: Height 25" Width 30" Depth 30" or Diameter _____
 Sculpture: Height _____ Width _____ Depth _____ or Diameter _____

For Memorials with multiple Sculptures, please record this information on a separate sheet of paper for each statue and attach to this form. Please describe the "pose" of each statue and any weapons/implements involved (in case your photos become separated from this form). Thank you!

Markings/Inscriptions (on stone-work / metal-work of monument, base, sculpture)
 Maker or Fabricator mark / name? If so, give name & location found _____

The "Dedication Text" is formed: cut into material ___ raised up from material face

Record the text (indicate any separation if on different sides...) Please use additional sheet if necessary.

End of mortar barrel:

N^o 10 C.A. & Co. BOSTON 1963 TJR1862

Top of barrel:
U.S.

Environmental Setting

(The general vicinity and immediate locale surrounding a memorial can play a major role in its overall condition.)

Type of Location

- | | | |
|--|--------------------|---------------------|
| <input checked="" type="checkbox"/> Cemetery | ___ Park | ___ Plaza/Courtyard |
| ___ "Town Square" | ___ Post Office | ___ School |
| ___ Municipal Building | ___ State Capitol | Other: _____ |
| ___ Courthouse | ___ College Campus | _____ |
| ___ Traffic Circle | ___ Library | _____ |

General Vicinity

- Rural (low population, open land) Suburban (residential, near city)
 Town Urban / Metropolitan

Immediate Locale (check as many as may apply)

- Industrial Commercial
 Street/Roadside within 20 feet Tree Covered (overhanging branches)
 Protected from the elements (canopy or enclosure, indoors)
 Protected from the public (fence or other barrier)
 Any other significant environmental factor _____

Condition Information

Structural Condition (check as many as may apply)

The following section applies to Monuments *with* Sculpture, and Monuments *without* Sculpture - including the base for Monuments with *Cannon*. Instability in the sculpture and its base can be detected by a number of factors. Indicators may be obvious or subtle. Visually examine the sculpture and its base.

	Sculpture	Base
If hollow, is the internal support unstable/exposed? <small>(look for signs of exterior rust)</small>	___	<u>NA</u>
Any evidence of structural instability? <small>(look for cracked joints, missing mortar or caulking or plant growth)</small>	___	<u>N</u>
Any broken or missing parts? <small>(look for elements (i.e., sword, musket, hands, arms, etc. - missing due to vandalism, fluctuating weather conditions, etc.)</small>	___	<u>N</u>
Any cracks, splits, breaks or holes? <small>(also look for signs of uneven stress & weakness in the material)</small>	___	<u>N</u>

Surface Appearance (check as many as may apply)

	Sculpture	Base
Black crusting	___	<u>N</u>
White crusting	___	<u>N</u>
Etched, pitted, or otherwise corroded (on metal)	___	<u>N</u>
Metallic staining (run-off from copper, iron, etc.)	___	<u>N</u>
Organic growth (moss, algae, lichen or vines)	___	<u>N</u>
Chalky or powdery stone	___	<u>N</u>
Granular eroding of stone	___	<u>N</u>
Spalling of stone (surface splitting off)	___	<u>N</u>
Droppings (bird, animal, insect remains)	___	<u>N</u>
Other (e.g., spray paint graffiti) - Please describe...	___	<u>N</u>

Does water collect in recessed areas of the Memorial? ___ Yes No ___ Unable to tell

Surface Coating

Does there appear to be a coating? Yes No Unable to determine
If known, identify type of coating.

Gilded Painted Varnished Waxed Unable to determine
Is the coating in good condition? Yes No Unable to determine

Basic Surface Condition Assessment (check one)

In your opinion, what is the general appearance or condition of the Memorial?
 Well maintained Would benefit from treatment In urgent need of treatment Unable to determine

Overall Description

Briefly describe the Memorial (affiliation / overall condition & any concern not already touched on).

Supplemental Background Information

In addition to your on-site survey, any additional information you can provide on the described Memorial will be welcomed. Please label each account with its source (author, title, publisher, date, pages). Topics include any reference to the points listed on this questionnaire, plus any previous conservation treatments - or efforts to raise money for treatment. Thank you.

Inspector Identification

Date of On-site Survey 8 SEP 2001

Your Name Richard E. Danes

Address 2612 Burns City Dearborn

State MI Zip Code 48124-3204 Telephone [REDACTED]

SUVCW Camp 427 Senior Vice Commander

Please send this completed form to:

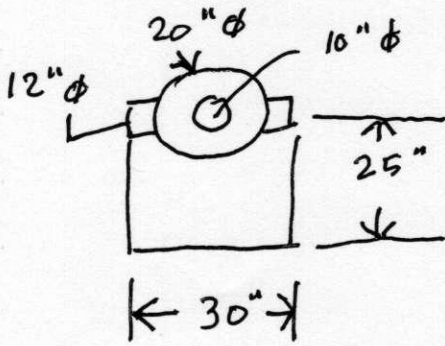
Douglas R. Armstrong
Civil War Memorials Officer
Department of Michigan - S.U.V.C.W.
236 E Frederick Ave.
Lansing, MI. 48906-3226

Thank you for your help, and attention to detail.

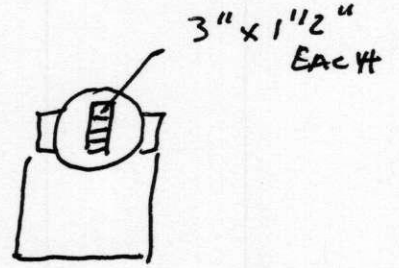
SONS OF UNION VETERANS OF THE CIVIL WAR
National Civil War Memorials Committee

Romeo Cemetery
mortar

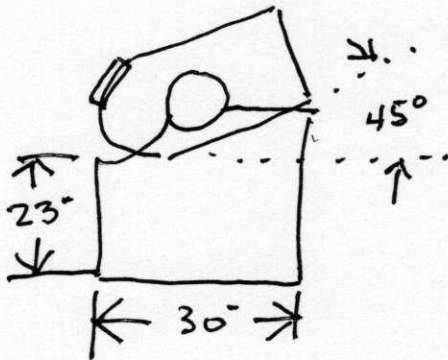
north side



South Side



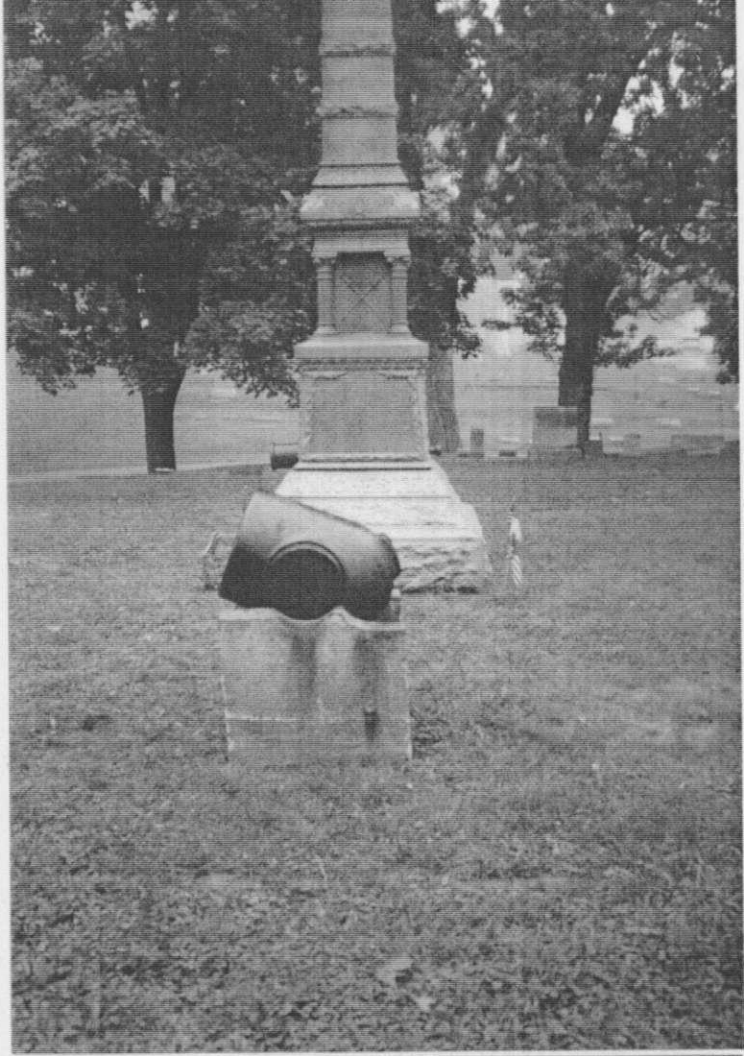
EAST SIDE



Inscribed Top
"U.S."

Inscribed End of barrel

No 10 C.A. & CO BOSTON
TJR 1862 1963



COMPENDIUM
OF
DONATED OBSOLETE ORDNANCE

SOURCES:

Chief of Ordnance Reports
House & Senate Reports
CIS U.S. Serial Set Indices
Registers of Naval Guns
Statutes at Large
Register of Inspections of Cannon
Field Artillery Weapons of the Civil War
Artillery and Ammunition of the Civil War
various commemorative booklets and pamphlets
antique postcards
compiler's files

Compiled by Wayne E. Stark

Research assistance by Edwin Olmstead & Don Lutz

CODE	+ CITY	DONEE	CANNON	YEAR
[A]	+ Petosky - Emmet	DPW garage on Rose St.	Parrott rifle unearthed 1996	1996
A	Petosky - "	GAR 170 (Greenwood Cemetery)	1 4.2-in Parrott rifle	1897
A	Petosky - "	city (County Bldg & city garg)	2 bronze fieldpieces	1902
A	Petosky - "	city (at Cushman House Park)	IX-in Dahlgren #249	1904
NS	+ Pontiac - OAKLAND	Mon't by First Baptist Church	banded 42-pdr + 4 br 6-pdrs	1913 postcard
N	Pontiac - "	cemetery/I.P.Richardson mon't	6 6-pdr bronze guns	1879
1A	Port Huron - St Clair	city (Pine Grove Park on ptd)	2 4.2-in Parrott rifles	1897
Stoln	Port Huron - "	city (were in cemetery)	4 bronze cannon or fldpcs	1915
9A	+ Port Huron - "	private	several various cannon	?
A	+ Presque Isle - Same	1988 by lighthouse off Rte 23	steel 3.4" boat how on crg	Gerken photo
22S	Quincy - Branch	GAR 2 for cem (on old pc)	1 cannon	1896
28A	+ Reed City - Oceola	VFW	8-in siege howitzer, M1861	?
145A	Reese - Tuscola	GAR (now in cemetery)	3" Ord Rfl No.458	RoIoC
145A	+ Reese - "	cemetery	3" Ord Rfl No.677	per K.Lee
9A	Richmond - Macomb	GAR 223 (now with reenactors)	1 8-in mortar	1898
9A	Romeo - "	GAR 202	1 10-in mortar & 1 24-pdr how	1897
67S	Saginaw - Same	GAR 90	1 6.4-in Parrott rifle	1898
67S	Saginaw - "	GAR 375	1 4.2-in Parrott rifle	1897
58A	Saranac - Ionia	GAR 153 (now in cemetery)	1 4.2-in Parrott rifle	1898
266N.	Sault St. Marie	GAR 343 Chippewa	2 24-pdr howitzers	1898
266N.	Sault Ste. Marie "	"City Hall" "	2 fieldpieces on carriages	old postcard
3N	+ Shelby - Oceola	park	8-in Rodman	old postcard
20N	+ South Haven - Van Buren	Public Library	Rodman	old postcard
9L	St. Clair - Same	city (Palmer Park on old pcd)	4 bronze cannon or fldpcs	1916
59N	St. Johns - Clinton	GAR 156 (courthouse on postcd)	1 4.2-in Parrott rifle	1899
85A	St. Joseph - Berrien	GAR 21 (now in park)	XI-in Dahlgren #420	1897
1A	Stanton - Montcalm	GAR 37	1 8-in mortar	1899
17A	+ Stockbridge - Ingham	courthouse	1 4.2-in Parrott rifle	?
88N	Sturgis - St Joseph	GAR 73 (Cent. Schl Bldg on pc)	1 6.4-in Parrott rifle	1897
A	Sturgis - "	municipal auth (Oaklawn Cem)	1 24-pdr iron howitzer	1873
17A	Sunfield - Eaton	GAR 283 (at 115 Main Street)	1 32-pdr & 1 42-pdr guns	1899
43A	Tecumseh - LeWass	GAR 140 (now Brookside Cem)	2 4.2-in Parrott rifles	1897
149A	+ Thomsonville - Benzie	Village Office	8" siege howitzer, M1861	per R&MH
85A	+ Three Oaks - Berrien	village park	bronze Spanish gun	1899
A	+ Three Rivers - St Joseph	park	1 bronze 6-pdr, M1841	?
1	+ Traverse City -	courthouse GRAND TRAVERSE	6.4-in navy Parrott rifle #15	?
22A	Union City - Branch	GAR 88 (mon't in park)	2 4.2-in Parrott rifles	1897
145N.	Vassar - Tuscola	GAR 410	1 8-in mortar	1899
145N	Vassar - "	village	2 bronze cannon or fldpcs	1916
160A	Vernon - Shiawassee	Soldiers' Monument (cemetery)	1 8-in columbiad	1898
20N	+ Vicksburg - Kalamazoo	unknown	fldpc firing on old postcard	old postcard
427 A	Wayne - Same	GAR 261 (at Historical Museum)	2 8-in columbiads	1898
427	Wayne County -	Wayne County Council, VFW	?	?
85A	White Pigeon St Joseph	GAR 115	1 24-pdr flank howitzer	1899
7A	Ypsilanti - Washtenaw	GAR 180 (now in Prospect Park)	1 10" Parrott rifle	1901
7N	Ypsilanti - "	GAR 41	?	?
7X	Ypsilanti - "	statue of Governor Mason	?	?

(5)