

NATIONAL ORGANIZATION
SONS OF UNION VETERANS OF THE CIVIL WAR

CIVIL WAR MEMORIAL ASSESSMENT FORM

PLEASE:

- Type or print, using a ball-point pen, when filling out this form. Legibility is critical.
- Do not guess at the information. An answer of, "Unknown," is more helpful.
- Include a photograph of each viewable side and label it with name & direction of view.

- Thank You.

Type of Memorial

Monument *with* Sculpture
 Monument *without* Sculpture

Monument ^{WEST} with Cannon
 Historical Marker Plaque

Affiliation

G.A.R. (Post Name & No. _____) M.O.L.L.U.S.
 W.R.C. (Corps Name & No. _____) Other Allied Order
 SUVCW (Camp Name & No. _____) (Please describe below)
 DUVCW (Tent Name & No. _____)
 Other: _____

Original Dedication Date 1939 Please consult any/all newspaper archives for a local paper's article that would have information on the *first* dedication ceremony and/or other facts on the memorial. Please submit a copy of your findings with full identification of the paper & date of publication. Thank you.

Location

The Memorial is *currently* located at:

Street/Road address or site location CORNER E. STATE FAIR^{AND} WOODWARD STS.
 City/Village Detroit Township Detroit County WAYNE

The front of the Memorial faces: North South East West

Government Body, Agency, or Individual Owner (of private cemetery that Memorial is located in)
 Name State of Michigan Dept./Div. State Fair Exposition Center
 Street Address 1120 W. State Fair Ave
 City Detroit State MI Zip Code 48221
 Contact Person Director Telephone (313) 369-8250

If the Memorial has been moved, please list former location(s)...

Physical Details

Material of Monument or base under a Sculpture or Cannon = Stone Concrete Metal Undetermined
 If known, name specific material (color of granite, marble, etc.) _____

Material of the Sculpture = ___ Stone ___ Concrete ___ Metal ___ Undetermined
 If known, name specific material (color of granite, marble, etc.) _____
 If the Sculpture is of metal, is it solid cast or "hollow?" _____

Material of Plaque or Historical Marker / Tablet = _____

Material of Cannon = ___ Bronze Iron - Consult known Ordnance Listing to confirm
 Markings on muzzle = Nº 11484 A.RS 1918
 Markings on Left Trunion - Right Trunion -
 Is inert ammunition a part of the Memorial? N If so, describe _____

Approximate Dimensions (indicate unit of measure) - taken from tallest / widest points
 Monument or Base: Height 36" Width 36" Depth 36" or Diameter _____
 Sculpture: Height _____ Width _____ Depth _____ or Diameter _____

For Memorials with multiple Sculptures, please record this information on a separate sheet of paper for each statue and attach to this form. Please describe the "pose" of each statue and any weapons/implements involved (in case your photos become separated from this form). Thank you!

Markings/Inscriptions (on stone-work / metal-work of monument, base, sculpture)

Maker or Fabricator mark / name? If so, give name & location found _____

The "Dedication Text" is formed: ___ cut into material ___ raised up from material face

Record the text (indicate any separation if on different sides...) Please use additional sheet if necessary.

Environmental Setting

(The general vicinity and immediate locale surrounding a memorial can play a major role in its overall condition.)

Type of Location

- | | | |
|---|---|--|
| <input type="checkbox"/> Cemetery | <input type="checkbox"/> Park | <input type="checkbox"/> Plaza/Courtyard |
| <input checked="" type="checkbox"/> "Town Square" | <input type="checkbox"/> Post Office | <input type="checkbox"/> School |
| <input type="checkbox"/> Municipal Building | <input type="checkbox"/> State Capitol | Other: _____ |
| <input type="checkbox"/> Courthouse | <input type="checkbox"/> College Campus | _____ |
| <input type="checkbox"/> Traffic Circle | <input type="checkbox"/> Library | _____ |

General Vicinity

Rural (low population, open land)
 Town

Suburban (residential, near city)
 Urban / Metropolitan

Immediate Locale (check as many as may apply)

Industrial Commercial
 Street/Roadside within 20 feet Tree Covered (overhanging branches)
 Protected from the elements (canopy or enclosure, indoors)
 Protected from the public (fence or other barrier)
 Any other significant environmental factor _____

Condition Information

Structural Condition (check as many as may apply)

The following section applies to Monuments *with* Sculpture, and Monuments *without* Sculpture - including the base for Monuments with *Cannon*. Instability in the sculpture and its base can be detected by a number of factors. Indicators may be obvious or subtle. Visually examine the sculpture and its base.

	Sculpture	Base
If hollow, is the internal support unstable/exposed? (look for signs of exterior rust)	___	<u>N</u>
Any evidence of structural instability? (look for cracked joints, missing mortar or caulking or plant growth)	___	<u>Y</u>
Any broken or missing parts? (look for elements (i.e., sword, musket, hands, arms, etc. - missing due to vandalism, fluctuating weather conditions, etc.)	___	<u>N</u>
Any cracks, splits, breaks or holes? (also look for signs of uneven stress & weakness in the material)	___	<u>Y</u>

Surface Appearance (check as many as may apply)

	Sculpture	Base
Black crusting	___	<u>Y</u>
White crusting	___	<u>Y</u>
Etched, pitted, or otherwise corroded (on metal)	___	<u>N</u>
Metallic staining (run-off from copper, iron, etc.)	___	<u>N</u>
Organic growth (moss, algae, lichen or vines)	___	<u>N</u>
Chalky or powdery stone	___	<u>Y</u>
Granular eroding of stone	___	<u>Y</u>
Spalling of stone (surface splitting off)	___	<u>Y</u>
Droppings (bird, animal, insect remains)	___	___
Other (e.g., spray paint graffiti) - Please describe...	___	___

GUN BASES IN BAD CONDITION

Does water collect in recessed areas of the Memorial? Yes No Unable to tell

Surface Coating

Does there appear to be a coating? Yes No Unable to determine
 If known, identify type of coating.
 Gilded Painted Varnished Waxed Unable to determine
 Is the coating in good condition? Yes No Unable to determine

Basic Surface Condition Assessment (check one)

In your opinion, what is the general appearance or condition of the Memorial?
 Well maintained Would benefit from treatment In urgent need of treatment Unable to determine

Overall Description

Briefly describe the Memorial (affiliation / overall condition & any concern not already touched on) .

Supplemental Background Information

In addition to your on-site survey, any additional information you can provide on the described Memorial will be welcomed. Please label each account with its source (author, title, publisher, date, pages). Topics include any reference to the points listed on this questionnaire, plus any previous conservation treatments - or efforts to raise money for treatment. Thank you.

Inspector Identification

Date of On-site Survey 13 OCT 2001
 Your Name Richard E. Danes
 Address 2612 Burns City Dearborn
 State MI Zip Code 48124-3204 Telephone [REDACTED]

SUVCW Camp 427 Senior Vice Commander

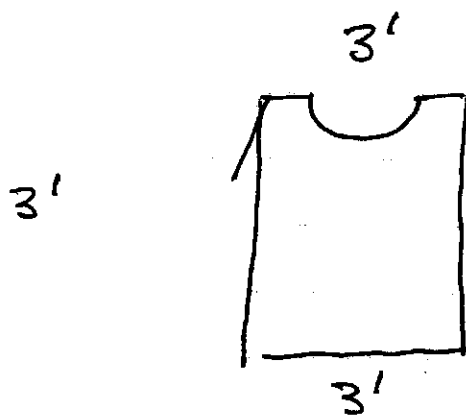
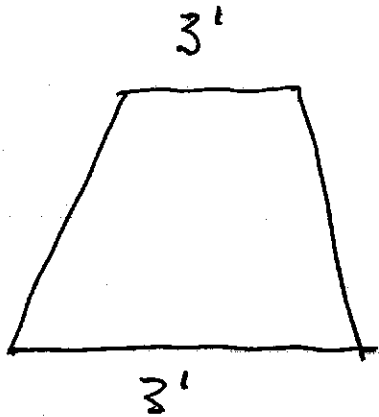
Please send this completed form to:

Douglas R. Armstrong
 Civil War Memorials Officer
 Department of Michigan- S.U.V.C.W.
 236 E Frederick Ave.
 Lansing, MI. 48906-3226

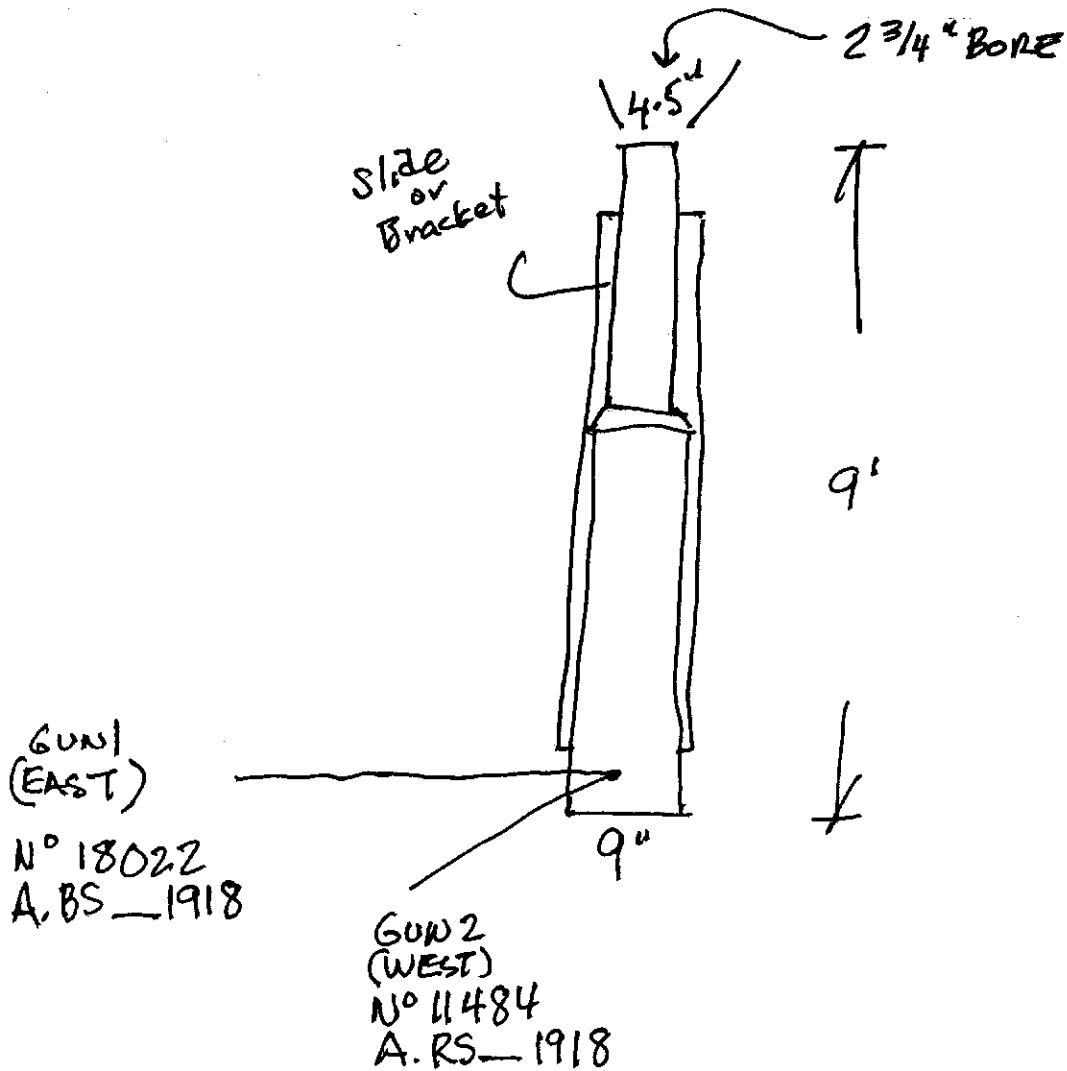
Thank you for your help, and attention to detail.

SONS OF UNION VETERANS OF THE CIVIL WAR
 National Civil War Memorials Committee

FIELD NOTES



BASE - CEMENT (TYP)



COMPENDIUM
OF
DONATED OBSOLETE ORDNANCE

SOURCES:

Chief of Ordnance Reports
House & Senate Reports
CIS U.S. Serial Set Indices
Registers of Naval Guns
Statutes at Large
Register of Inspections of Cannon
Field Artillery Weapons of the Civil War
Artillery and Ammunition of the Civil War
various commemorative booklets and pamphlets
antique postcards
compiler's files

Compiled by Wayne E. Stark

Research assistance by Edwin Olmstead & Don Lutz

MICHIGAN CANNON LEADS

CODE	+ CITY	DONEE	CANNON	YEAR
43 L	Adrian LeNawee	Soldiers' Mon't Assn	4 12-pdr iron guns (2 there)	1870
1	Albion Calhoun	GAR 21 (at new armory)	1 6.4-in Parrott rifle	1897
1	Allegan Allegan	Michigan Soldiers' Mon. Assn.	?	?
7N	Ann Arbor WASHTENAW	GAR 128	2 3.67-in Parrott rifles	1899
7N	Ann Arbor "	city (U of M Span. War Mon't)	1 br cannon or fldpc (Spanish)	1912
	+ Bacheaw - ?	private on Neehish Island	cannon in front yard	per R&MH
N	Bad Axe - Huron	city	4 bronze cannon or fldpcs	1915
160S	Bancroft - Shiawassee	GAR 11 (once @ high school)	32-pdr of 57 cwt #516	1898
20A	Bangor VAN BUREN	GAR 19 (Arlington Cemetery)	XI-in Dahlgren #417	1897
22S	Battle Creek Calhoun	GAR 32 (was in Oak Hill Cem)	XI-in Dahlgren #230	1896
67A/S	Bay City Bay	GAR 67 (how in Pine Ridge Cem)	1 8-in S&G how & 1 4.2-in Parr	1897
67A	Bay City "	GAR 67 (Green Ridge Cem)	1 3-in wrought iron gun	1898
67S	Bay City "	city	IX-in Dahlgrens #230 & 231	1904
67S	+ Bay City "	courthouse	13-in SC mortar	190- postcard
67S	Bay City "	municipality	VIII-in shellguns #326 & 336	1907
67S	Bay City, West "	GAR 67	1 4.2-in Parrott rifle	1897
85A	+ Benton Harbor Berrien	Crystal Springs Cemetery	Alger 24-pdr flank how No.188	?
28N	+ Big Rapids - Mecosta	Mecosta County courthouse	cannon on granite mount	1928 postcard
43A	+ Blissfield LeNawee	cemetery on US Rte 223	1 8-in columbiad M1844	?
14A	+ Boyne City Charlevoix	Front & State Streets	1 8-in Rodman	?
120N	Brighton Livingston	GAR 179	1 6.4-in Parrott rifle	1897
21N	Bronson BRANCH	GAR 185	1 3-in wrought iron gun	1898
85A	Buchanan Berrien	GAR 22 (now in cemetery)	6.4-in navy Parrott rifle #48	1897
145N	Caro TUSCOLA	village	4 bronze cannon or fldpcs	1916
85A	+ Cassopolis CASS	privately owned	4.5" Ord Rfl Reg#51	per JDJ
14A	Charlevoix - SAME	GAR 119 (Brookside Cemetery)	1 4.2-in Parrott rifle	1897
17A/D	Charlotte - Eaton	GAR 40 (now at courthouse)	1 6.4-in Parrott & 1 8-in clmb	1898
A	Cheboygan - SAME	city (now at courthouse)	IX-in Dahlgren #225	1904
[A]	+ Cheboygan - "	in storage somewhere	CW cannon from park	per GHM
A	Chelsea - WASHTENAW	solds' mon. in (Oak Grove) cem	2 30-pdr iron guns	1895
7A	+ Chelsea - "	unspecified	old iron 6-pdr gun	?
	Chesanning - Saginaw	GAR 121	3.67-in navy Parrott rfl #262	1900
	+ Coldwater - Branch	park (Military Park)	3 2.9-in Parrott rifles	?
53A	Coleman - MI & LAW &	Town	IX-in Dahlgren #698	1909
A	Constantine St Joseph	GAR 121 (park)	1 4.2-in Parrott rifle	1897
145N	Davison - GENESEE	GAR 284	1 42-pdr gun	1898
20A	Decatur - VAN BUREN	GAR 27 (now in City Park)	6.4-in navy Parrott rifle #12	1896
17NI	+ Delta Township Eaton	Delta Center Cemetery	replica 10-pdr Parrott	per GHM
101A	+ Detroit - WAYNE	Ft. Wayne	2 12-pdr guns	?
101A	+ Detroit "	Ft. Wayne (from Grand Rapids)	2 4.2-in Parrott rifles	?
101A	Detroit "	Mon't to MG McComb(Wash.Blvd.)	2 bronze 12-pdr guns, M1838	1908
101A	Detroit "	Mon't to MG McComb(Wash.Blvd.)	1 French 9-pdr gun	1908
101S	Detroit "	Woodmere Cemetery Assn.	2 4.2-in Parrott rifles	1897
101A	→ Detroit "	fairgrounds	2 3-in Ord Rfls altered to BLs	?
101N	+ Detroit (Belle Isle)	view from Belle Isle	fieldpiece on carriage	old postcard
7A	Dexter - WASHTENAW	GAR 339 (now American Legion)	1 4.2-in Parrott rifle	1897
76A	+ Dundee - MONROE	park	1 6.4-in Parrott rifle	?
76A	+ Dundee "	privately owned	3" Ord Rfl R#390 & CA Coeh #11	?
76A	+ Dundee "	privately owned	1 6-pdr M1841 Ames No.286	?
A	+ East Tawas - IUSCO	unspecified	6-pdr iron Bellona gun w/o rbs	?
17A	Eaton Rapids - Eaton	GAR 111	1 4.2-in Parrott rifle	1898
17A	+ Eaton Rapids - "	park/island (south)	1 6.4-in Parrott rifle	?
120A	+ Farmington OAKLAND	American Legion Post 346	3.2" converted 3" Ord Rfl-SBF	per R&MH
53A	Farwell - CHASE	GAR 386 (now in park)	32-pdr cf 4500# #226	1897
145A	Fenton - GENESEE	GAR 24 (West Fenton Fire Hall)	2 4.5-in guns	1897
145A	Flint - "	GAR 145 (now at courthouse)	2 4.2-in Parrott rifles (4)	1897
145A	+ Flint - "	McFarland Pk (now 2nd MI Inf)	6-pdr br gun carriage	1907 postcard
145A	+ Flint - "	Sloan Museum	1868 British cannon (500#)	per newspaper
120A	Fowlerville - Livingston	GAR 114 (in cemetery)	1 4.2-in Parrott rifle	1897
147A	+ Frankfort - Benzie	park	1 10-in Rodman	?
28N	Fremont - NEWAYGO	GAR 182	4.2-in navy Parrott #256 & 258	1902
4.	+ Gaylord - OTSEGO	city (now at courthouse)	IX-in Dahlgren #250	1904
67A	Gibraltar - WAYNE	Parsons School	2 10" Rodmans sleeved to 8" rf	?
67N	Gladwin - SAME	GAR 369	12-pdr boat how, small, #7 & 12	1891
1A	+ Grand Haven OTTAWA	City Hall	2 Lyle guns	?
1N	Grand Haven "	city	IX-in Dahlgrens #701 & 702	1908