

NATIONAL ORGANIZATION
SONS OF UNION VETERANS OF THE CIVIL WAR
CIVIL WAR MEMORIAL ASSESSMENT FORM

PLEASE:

- Type or print, using a ball-point pen, when filling out this form. Legibility is critical.
- Do not guess at the information. An answer of, "Unknown," is more helpful.
- Include a photograph of each viewable side and label it with name & direction of view.

- Thank You.

Type of Memorial

Monument *with* Sculpture
 Monument without Sculpture

4 CIVIL WAR
 ~~Monument~~ with Cannon BARRELS
 Historical Marker Plaque

Affiliation

G.A.R. (Post Name & No. _____) M.O.L.L.U.S.
 W.R.C. (Corps Name & No. _____) Other Allied Order
 SUVCW (Camp Name & No. _____) (Please describe below)
 DUVCW (Tent Name & No. _____)

Other: CITY/COUNTY OF YORK, PA. CIVIL WAR MEMORIAL

Original Dedication Date 1875 Please consult any/all newspaper archives for a local paper's article that would have information on the *first* dedication ceremony and/or other facts on the memorial. Please submit a copy of your findings with full identification of the paper & date of publication. Thank you.

Location

The Memorial is *currently* located at: 4 CIVIL WAR CANNON ARE IN STORAGE.
 Street/Road address or site location 559 W. JACKSON ST.
 City/Village YORK, PA Township SPRING GARDEN County YORK

The front of the Memorial faces: North South East West

Government Body, Agency, or Individual Owner (of private cemetery that Memorial is located in)...

Name _____ Dept./Div. _____
 Street Address _____
 City _____ State _____ Zip Code _____
 Contact Person _____ Telephone () _____

If the Memorial has been moved, please list former location(s)...

FORMER LOCATION - PENN COMMON, CITY PARK, YORK, PA.

Physical Details NEW BASE WILL BE

Material of Monument or base under a Sculpture or Cannon = Stone Concrete Metal Undetermined
 If known, name specific material (color of granite, marble, etc.) _____

Material of the Sculpture = ___ Stone ___ Concrete ___ Metal ___ Undetermined
If known, name specific material (color of granite, marble, etc.) _____
If the Sculpture is of metal, is it solid cast or "hollow?" _____

Material of Plaque or Historical Marker / Tablet = _____

Material of Cannon = ___ Bronze Iron - Consult known Ordnance Listing to confirm
Markings on muzzle = SEE ATTACHED INFORMATION SHEETS
Markings on Left Trunion _____ Right Trunion _____
Is inert ammunition a part of the Memorial? NO If so, describe _____

Approximate Dimensions (indicate unit of measure) - taken from tallest / widest points
Monument or Base: Height _____ Width _____ Depth _____ or Diameter _____
Sculpture: Height _____ Width _____ Depth _____ or Diameter _____

For Memorials with multiple Sculptures, please record this information on a separate sheet of paper for each statue and attach to this form. Please describe the "pose" of each statue and any weapons/implements involved (in case your photos become separated from this form). Thank you!

Markings/Inscriptions (on stone-work / metal-work of monument, base, sculpture)

Maker or Fabricator mark / name? If so, give name & location found _____

The "Dedication Text" is formed: ___ cut into material ___ raised up from material face

Record the text (indicate any separation if on different sides...) Please use additional sheet if necessary.

Environmental Setting

(The general vicinity and immediate locale surrounding a memorial can play a major role in its overall condition.)

WILL BE LOCATED IN

Type of Location

- | | | |
|---|--|--|
| <input type="checkbox"/> Cemetery | <input checked="" type="checkbox"/> Park | <input type="checkbox"/> Plaza/Courtyard |
| <input type="checkbox"/> "Town Square" | <input type="checkbox"/> Post Office | <input type="checkbox"/> School |
| <input type="checkbox"/> Municipal Building | <input type="checkbox"/> State Capitol | Other: _____ |
| <input type="checkbox"/> Courthouse | <input type="checkbox"/> College Campus | _____ |
| <input type="checkbox"/> Traffic Circle | <input type="checkbox"/> Library | _____ |

General Vicinity

- Rural (low population, open land) ___ Suburban (residential, near city)
 ___ Town ___ Urban / Metropolitan

Immediate Locale (check as many as may apply)

- ___ Industrial ___ Commercial
 ___ Street/Roadside within 20 feet ___ Tree Covered (overhanging branches)
 ___ Protected from the elements (canopy or enclosure, indoors)
 ___ Protected from the public (fence or other barrier)
 Any other significant environmental factor _____

Condition Information

Structural Condition (check as many as may apply)

The following section applies to Monuments *with* Sculpture, and Monuments without Sculpture - including the base for Monuments with *Cannon*. Instability in the sculpture and its base can be detected by a number of factors. Indicators may be obvious or subtle. Visually examine the sculpture and its base.

	Sculpture	Base
If hollow, is the internal support unstable/exposed? (look for signs of exterior rust)	___	___
Any evidence of structural instability? (look for cracked joints, missing mortar or caulking or plant growth)	___	___
Any broken or missing parts? (look for elements (i.e., sword, musket, hands, arms, etc. - missing due to vandalism, fluctuating weather conditions, etc.)	___	___
Any cracks, splits, breaks or holes? (also look for signs of uneven stress & weakness in the material)	___	___

Surface Appearance (check as many as may apply)

- Black crusting
 White crusting
 Etched, pitted, or otherwise corroded (on metal)
 Metallic staining (run-off from copper, iron, etc.)
 Organic growth (moss, algae, lichen or vines)
 Chalky or powdery stone
 Granular eroding of stone
 Spalling of stone (surface splitting off)
 Droppings (bird, animal, insect remains)
 Other (e.g., spray paint graffiti) - Please describe...

Sculpture	Base
___	___
___	___
___	___
___	___
___	___
___	___
___	___
___	___
___	___
___	___

NEW CONCRETE BASES ARE BEING MANUFACTURED.

Does water collect in recessed areas of the Memorial? ___ Yes ___ No ___ Unable to tell

THE 4 CANNON BARRELS ARE PAINTED

Surface Coating

Does there appear to be a coating? ___ Yes ___ No ___ Unable to determine
If known, identify type of coating.

___ Gilded Painted ___ Varnished ___ Waxed ___ Unable to determine
Is the coating in good condition? ___ Yes ___ No ___ Unable to determine

Basic Surface Condition Assessment (check one)

In your opinion, what is the general appearance or condition of the Memorial?
___ Well maintained ___ Would benefit from treatment ___ In urgent need of treatment ___ Unable to determine

Overall Description


Briefly describe the Memorial (affiliation / overall condition & any concern not already touched on).

4 CANNON ARE BEING RE-LOCATED TO A DIFFERENT
PARK FROM ORIGINAL, AND WILL BE MOUNTED ON
NEW CONCRETE PEDESTALS. SEE ATTACHED
DOCUMENTATION.

Supplemental Background Information

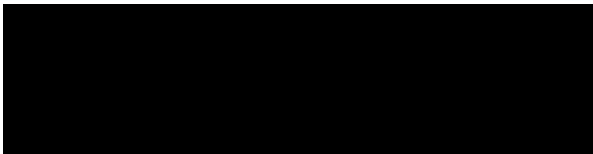
In addition to your on-site survey, any additional information you can provide on the described Memorial will be welcomed. Please label each account with its source (author, title, publisher, date, pages). Topics include any reference to the points listed on this questionnaire, plus any previous conservation treatments - or efforts to raise money for treatment. Thank you.

Inspector Identification

Date of On-site Survey _____
Your Name IVAN E. FRANTZ, JR., PDC, PA.
Address 1126 HANOVER RD. City YORK
State PA Zip Code 17408-6218 Telephone 

Please send this completed form to:

Todd A. Shillington, PDC



Thank you for your help, and attention to detail.

SONS OF UNION VETERANS OF THE CIVIL WAR
National Civil War Memorials Committee

The County Commissioners of York County

BOARD OF COMMISSIONERS

CHARLES A. STEIN, JR.
2818 CAMBRIDGE ROAD
YORK, PA. 17402

WILLIAM C. MCKINLEY
R.D. #2
RED LION, PA. 17356

CARROLL H. LEPPA
281 LYNBROOK DRIVE
YORK, PA. 17402



COURT HOUSE
28 EAST MARKET STREET
YORK, PENNSYLVANIA 17401
TELEPHONE: 848-3301

CLARENCE H. GOTWALT
CHIEF CLERK

GORDON A. ROE
SOLICITOR

JON C. COUNTESS
ASST. SOLICITOR

JOHN D. FLINCHBAUGH
ASST. SOLICITOR

December 31, 1975

Mr. Ivan Frantz, Sec. Treas.
559 W. Jackson St.
York, Pa.

Dear Mr. Frantz:

At the Commissioners meeting this date, it was approved to have the care, custody, and control of the four 3rd ordinance pieces which have been on display in Penn Common, given to Capt. E.M. Ruhl, No. 33 Camp, Sons of Union Veterans of Civil War, 1861-1865.

Very truly yours,

YORK COUNTY COMMISSIONERS

Charles A. Stein, Jr.
President

CAS/nlb

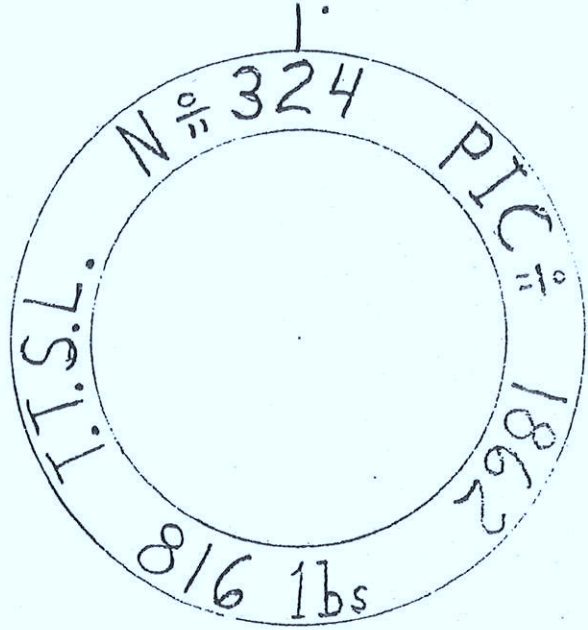
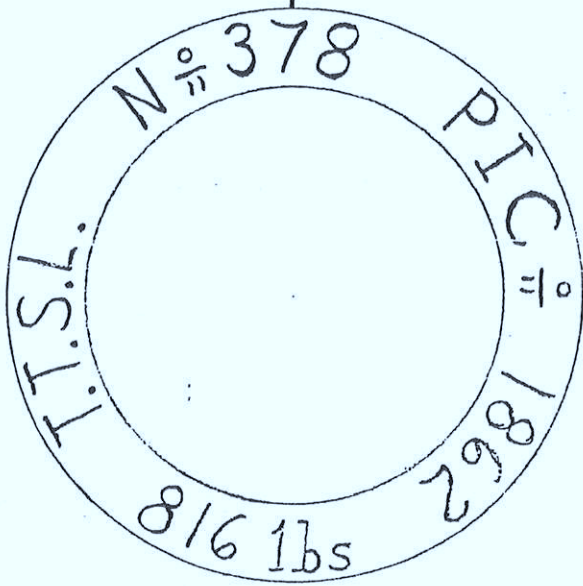
Muzzle Markings as follows:

No. 8	P.I.C.	1861	809 lbs.	T.T.S.L.
No. 286	P.I.C.	1862	816 lbs.	T.T.S.L.
No. 324	P.I.C.	1862	816 lbs	T.T.S.L.
No. 378	P.I.C.	1862	816 lbs	T.T.S.L.

Muzzle markings of the 4 field piece barrels



Reference point of front sight.



Serial no.

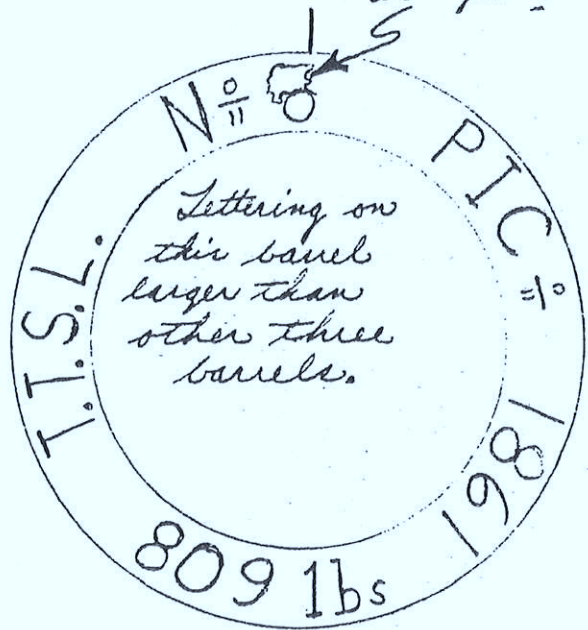
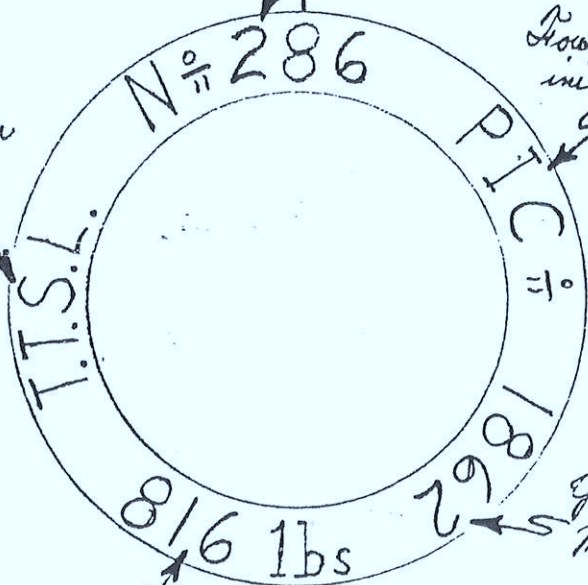
TOP OF No. PITTED. No. 8

barrel inspector initials

Foundry initials

Year of Manuf.

Barrel weight

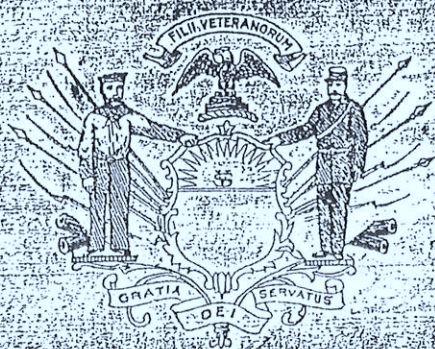


Four barrels of 3 inch ordinance pieces in the care, custody and control of Capt. Edgar M. Ruhl Camp #33, Sons of Union Veterans of the Civil War, York, Pennsylvania. Ivan E. Frantz, Sr. Camp Secretary, 559 West Jackson Street, York, Pa. 17403 . March 1976.

Sons of Union Veterans of Civil War, 1861-1865

York, Penna.

September, 29th., 1942.



To the Hon. Mayor and
Members of City Council,
York, Pa.

Gentlemen:-

At a recent meeting of Captain E. M. Ruhl Camp No. 33 Sons of Union Veterans of the Civil War. I was directed to call your attention to the fact that the field pieces or cannon now on Penn Common, are the property of Camp No. 33 and have been for many years.

The York Dispatch in their publication of Sept. 4th., 1942., printed the following article.

40 YEARS AGO TODAY.

"General John Sedgwick Post No. 37, Grand Army of the Republic, transferred to Captain Edgar M. Ruhl Camp No. 33, Sons of Veterans of the Civil War, the cannon purchased by the post at a cost of \$300. A ceremony marking the transfer was held on Penn Common, the two organizations, headed by the Spring Garden band, paraded to the Common."

It appears that no one connected the ownership of these cannon with our camp and we feel certain that after giving you this information, you will not attempt to dispose of our property.

If and when the time arrives that the Federal Government decided to scrap the cannon on our National Civil War Battle-fields, or memorials erected to the memory of Union Veterans of the Civil war, we will then willingly donate these cannon to the duly authorized official.

Yours very truly,

Jos. M. Owens
Secretary.

prior to the thirty-first day of July, eighteen hundred and seventy-two: *Provided*, That the owner of such merchandise shall, within thirty days from the passage of this act make application therefor in writing to the collector of the port at which such merchandise arrived." Application to be made within thirty days.

Approved, June 3, 1874.

CHAP. 204.—An act donating condemned cannon and cannon-balls to the posts of the Grand Army of the Republic of Philadelphia and other associations, for monumental purposes. June 3, 1874.

Be it enacted by the Senate and House of Representatives of the United States of America in Congress assembled, That the Secretary of War be, and he hereby is, authorized to deliver, if the same can be done without detriment to the Government, two condemned cannon and eight cannon-balls to each of the following-named organizations, for the purpose of ornamenting burial-grounds of deceased soldiers: To the post numbered two, Grand Army of the Republic, of Philadelphia, Pennsylvania; to the post numbered five, Grand Army of the Republic, of Philadelphia, Pennsylvania; to the post numbered six, Grand Army of the Republic, of Philadelphia, Pennsylvania; to the post numbered seven, Grand Army of the Republic, Philadelphia, Pennsylvania; to the post numbered eight, Grand Army of the Republic, of Philadelphia, Pennsylvania; to the post numbered ten, Grand Army of the Republic, of Philadelphia, Pennsylvania; to the post numbered seventy-one, Grand Army of the Republic, of Philadelphia, Pennsylvania; to the post numbered nineteen, Grand Army of the Republic, of Philadelphia, Pennsylvania; and four condemned cannon and sixteen cannon-balls to each of the following organizations, namely: To the corporate authorities of the town of Winterport, State of Maine; to the Soldiers' Monument Association of Henderson County, State of Illinois; to the Northumberland county Monument Association of Pennsylvania; to Fuller post No seventy-four, Grand Army of the Republic, Catasauqua, Pennsylvania; to Delaware county Soldiers and Sailors' Monument Association, at Chester, Pennsylvania; to Chapman Post, No sixty one, Grand Army of the Republic at Mauch Chunk, Pennsylvania; to Doubleday Post, No one hundred and eighty-nine, of the Grand Army of the Republic at Tamaqua, Pennsylvania; to the Monumental Association at York, Pennsylvania; to post No thirty, Grand Army of the Republic, at Cambridge, Massachusetts; to post No. sixty-eight, Grand Army of the Republic at Boston, Massachusetts; to the Soldiers' Monument Association at Springfield, Massachusetts; to post No. one hundred and twenty-two Grand Army of the Republic, at Amesbury, Massachusetts; to the Trustees of the Soldiers' Monument Fund, at Akron, Ohio; to the officers of the Soldiers' Monument Association at Chalmette, Louisiana; to the Soldiers' Monument Association at Pomeroy, Ohio; to post No. sixty-three, Grand Army of the Republic, at Natick, Massachusetts; to post No. five, Grand Army of the Republic, at Morgantown, West Virginia; to post No. eighty-nine, Grand Army of the Republic, at Beverly, Massachusetts; to the Soldiers' Monument Association at Binghamton, New York; and to the Soldiers' Monument Association at Alliance, Ohio.

Approved, June 3, 1874.

CHAP. 205.—An act to provide for the better protection of the frontier settlements of Texas against Indian and Mexican depredations. June 3, 1874.

Be it enacted by the Senate and House of Representatives of the United States of America in Congress assembled, That the Secretary of War be, and he is hereby, authorized to construct and operate a line of telegraph, beginning at or near the city of Denison, in Grayson county, Texas; thence by the nearest practicable route to Fort Sill, Indian Territory; Construction of telegraph in Texas and Indian Territory to connect military posts.



Captain E. M. Ruhl, Camp No. 33
Sons of Union Veterans of the Civil War
York, Pennsylvania

Ivan E. Frantz, Jr.
Camp Secretary/Treasurer
1126 Hanover Road
York, Pa. 17408

Dear Sirs:

Ruhl Camp #33 is applying for a Civil War memorials grant in the amount of \$ 500.00 from the National Organization. This money will be used to place back on display four Model 1861 3" Ordnance rifle cannon barrels that the Camp has had in storage for more than 25 years.

We realize that this is not the normal situation in applying for a grant in this manner. Copies of supporting documentation are included to show the history of the cannon barrels that are involved.

Copies of the necessary papers are being sent to the:
National Secretary
National Civil War memorials Officer
SUVCW Memorials Grant Committee

We thank you for your consideration in this matter and look forward to your reply.

In Fraternity, Charity, and Loyalty,

Ivan E. Frantz, Jr., Pa. PDC, Camp Secretary



Captain E. M. Ruhl, Camp No. 33
Sons of Union Veterans of the Civil War
York, Pennsylvania

Ivan E. Frantz, Jr.
Camp Secretary/Treasurer
1126 Hanover Road
[REDACTED]

April 7, 2007

Mr. Tom Brant, Administrator
York County Parks
400 Mundis Race Road
York, Pa. 17402

Dear Tom,

Thank you for taking the time to meet with me on Monday, April 2nd at Hanover Junction. I think we both understand what Ruhl Camp #33 would like to do with the four Model 1861 3" Ordnance Rifle cannon barrels that we have to get them back on public display in an appropriate setting that is connected with the Civil War history of York County.

The four cannon were first given to the "Monumental Association" in York by an act of the 43rd Congress, dated June 3, 1874. The "Monumental Association" was the committee of General John A. Sedgewick, Post #37, Grand Army of the Republic that was responsible for erecting the Civil War Monument that still sets on Penn Common, across College Avenue from William Penn Sr. High School. Post #37 of the G.A.R. spent the sum of \$300.00 to place those cannon barrels on carriages at the four corners of the Civil War Monument.

Because the members of G.A.R. Post #37 were advancing in age, and the Post membership was slowly dying out, on September 4th, 1902 the G.A.R. Post turned ownership of the cannon over to Ruhl Camp #33. This was noted in the YORK DISPATCH of that date which reported the parade to Penn Common and participation of the Spring Garden Band.

By 1975 the carriages that the cannon barrels sat on had become very heavily damaged from vandalism. The Camp did not have money to purchase new carriages at that time. The Camp approached the City to see what could be done, and the City claimed they could do nothing with the four cannon. The Camp also approached the County at that time, and the County had no funds to help because Penn Common is a City park. In any case, the County bridge crew removed the four cannon barrels and the remaining pieces of the four carriages from Penn Park and turned them over to Ruhl Camp #33. Please see the attached letter dated December 31, 1975 by then President Commissioner Charles Stein, Jr.

For over 30 years now these barrels have remained in storage in the garages of several Camp members. The Camp has looked into the funds to get new carriages, but this cost is prohibitive with four carriages costing about a total of \$ 40,000 - \$ 45,000 dollars. Instead the Camp has come up with a design for a cast concrete pedestal to sit the four barrels on, which is affordable for the Camp to have made. The design is based on granite pedestals that four cannon barrels sit on in the "Soldier's Circle" at Prospect Hill Cemetery. These pedestals will work very well, and being of cast concrete should be an item that requires minimal maintenance.

Even though it is noted that the original G.A.R. Post Committee paid \$ 300 dollars for the barrels, that was to cover the cost of transportation and mounting the barrels on carriages. The original act of Congress notes that the barrels would be donated for use "if same can be done without detriment to the Government." In all legality, the four cannon are still U.S. Government property, and still "subject to recall by the Secretary of War" (today the Secretary of Defense).

Because of this, Capt. Edgar M. Ruhl, Camp #33, Sons of Union Veterans of the Civil War would like to place the four Model 1861 3" Ordnance Rifle cannon barrels, mounted on cast concrete pedestals, on PERMANENT LOAN for monumental display purposes at the Hanover Junction train station along the Northern Central Heritage Rail Trail. The Camp voted unanimously to take this action at our regular Camp meeting on March 19, 2006. The Civil War connection and history of this site makes it an appropriate place to display these Civil War artifacts. Hanover Junction is a location that will not subject the cannon to further abuse and vandalism like the location of Penn Common has in the past.

I thank you for your consideration in this matter and look forward to your reply.

Sincerely,

Ivan E. Frantz, Jr., Secretary
Captain Edgar M. Ruhl, Camp #33
Sons of Union Veterans of the Civil War



York County Department of Parks and Recreation

ADMINISTRATIVE HEADQUARTERS: 400 Mundis Race Road, York, PA 17406-9721

Phone: 717.840.7440
Fax: 717.840.7403
E-mail: parks@york-county.org
Website: <http://www.york-county.org>

Nixon County Park Nature Center
5922 Nixon Drive
York, PA 17403-9677
717.428.1961

Thomas R. Brant
Executive Director

May 4, 2007

Mr. Ivan Frantz, Jr.
Camp Secretary/Treasurer
Captain Edgar M. Ruhl, Camp #33
Sons of Union Veterans of the Civil War
1126 Hanover Road
York, PA 17408

RE: Permanent Loan of Four (4) Cannon Barrels at Hanover Junction Train Station

Dear Mr. Frantz:

I am in receipt of your letter, dated April 7, 2007, offering four (4) original Model 1861 3" Ordnance Rifle cannon barrels mounted on cast concrete pedestals on Permanent Loan for monumental display purposes at the County of York's Hanover Junction Train Station along the Heritage Rail Trail County Park in North Codorus Township.

Your April 7th letter and accompanying documentation was presented to the County of York's Chief Clerk/Administrator and then forwarded to the Board of Commissioners for consideration. In addition, it was conveyed that there would be no cost to the County for the placement and permanent loan agreement.

Therefore, this letter serves as our interest in accepting this gift and proceeding with this project. Please contact me for detailed placement at Hanover Junction and completing the necessary paperwork for the Permanent Loan agreement.

Thank you for bringing this opportunity of public displaying of these important historic artifacts. I am available at 717-840-7411 to finalize the details to bring this project to fruition at the Hanover Junction Train Station.

Sincerely,

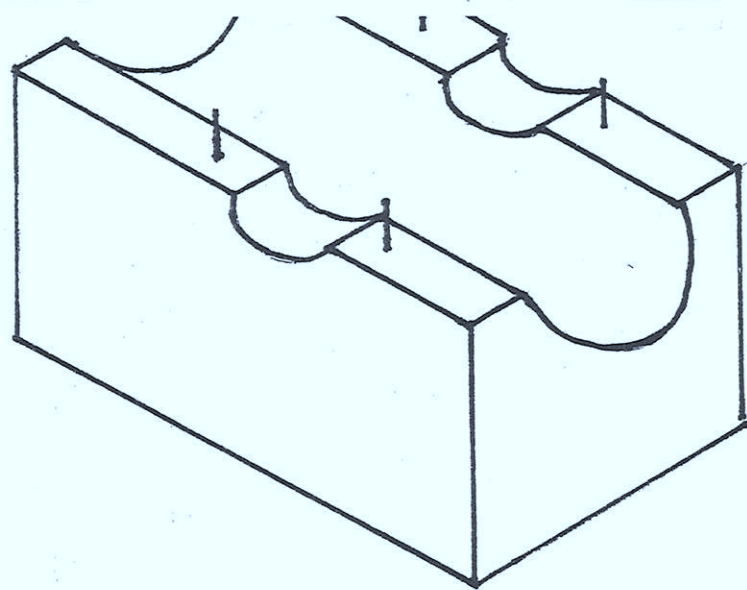
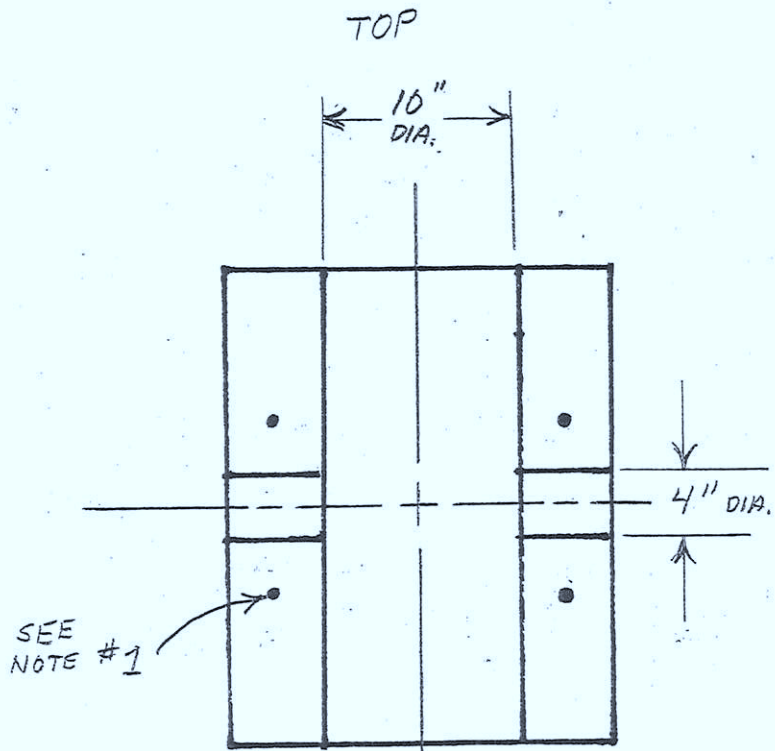
Thomas R. Brant
Executive Director

Cc: York County Board of Commissioners

Apollo • Heritage Rail Trail • John C. Rudy • Rocky Ridge • Spring Valley • P. Joseph Raab • William H. Kain • Richard M. Nixon • Wallace-Cross Mill



Things of Beauty Are Joys Forever

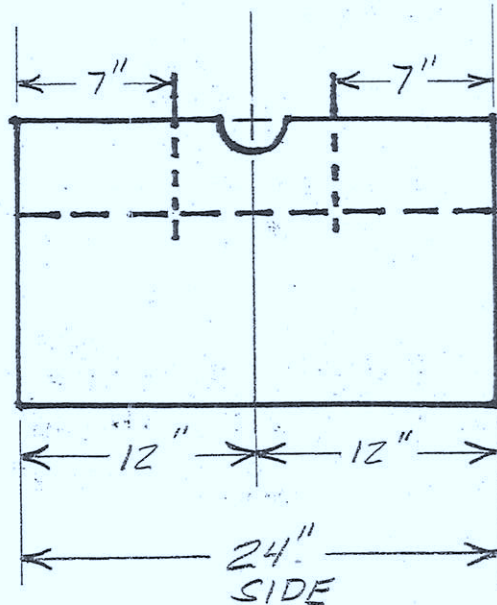
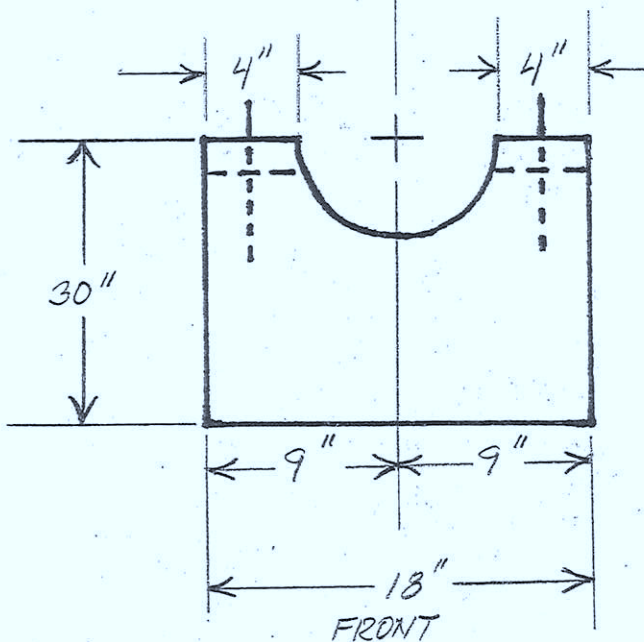


CANNON PEDESTAL

NOTE #1 - ④ 5/8" THREADED STUDS, INSERTED INTO CONCRETE 12", WITH 2" REMAINING EXPOSED ABOVE TOP OF CONCRETE.

TOTAL LENGTH 14".

TO ALLOW FOR TRUNNION RETAINING CAPS.



NOT TO
SCALE

**SONS OF UNION VETERANS OF THE CIVIL WAR
CIVIL WAR MEMORIAL FUND REQUEST**

(FORM CWM #62)
Requester Information

CAMP AND DEPARTMENT NAME: Capt. Edgar M. Ruh1, Camp #33, Pennsylvania Dept.
(Please print or type)

ADDRESS: 1126 Hanover Road, York, Pa. 17408-6218

CITY: York

STATE: Pennsylvania ZIP CODE: 17408-6218

NAME OF CONTACT PERSON: Ivan E. Frantz, Jr., PDC, Camp Secretary

ADDRESS: 1126 Hanover Road

CITY: York

STATE: Pennsylvania ZIP CODE: 17408-6218

PHONE(S): 

Memorial or Monument Information

NAME OF MEMORIAL: Four (4) Model 1861 3" Ordnance Rifle cannon barrels
from the Civil War Memorial on Penn Common in York, Pa.

LOCATION: (Name and address of cemetery or other location description, such as, corner of 3rd and Lincoln Street) _____
Cannon barrels to be re-located to the Hanover Junction train station
along the Northern Central Heritage Rail Trail in York County, Pa.

WHEN WAS IT BUILT: The Hanover Junction train station was built in 1848.

WHO OWNS IT: The County of York, Pennsylvania

WHO IS FINANCIALLY RESPONSIBLE FOR IT: York County Pa. Dept. of Parks

ARE MATCHING FUNDS AVAILABLE: NO FROM WHERE: _____

ARE OTHER SOURCES OF FUNDS AVAILABLE: YES FROM WHERE: Some funds are
available from Camp #33 assets.

AMOUNT BEING REQUESTED: \$ 500.00

DESCRIBE WORK THAT THESE FUNDS ARE NEEDED FOR: (Be specific, use back if necessary)

Funds will be used to pay for the manufacture of new cast concrete
on which to mount the four (4) Model 1861 3" Ordnance Rifle cannon
barrels. These cannon barrels used to sit on carriages that had become
heavily vandalized, and had collapsed under the weight of the barrels.
It was decided to re-mount the barrels on cement pedestals because of
them being much less cost, and not as much of a maintenance problem
as carriages.

WHO EVALUATED THE NEED FOR THE WORK AND WHAT ARE THEIR QUALIFICATIONS: _____

Camp members, York County Parks Executive Director Tom Brant, and Northern

Central Heritage Rail Trail Supervisor Glenn Loose
WHO WILL DO THE WORK DESCRIBED AND WHAT ARE THEIR QUALIFICATIONS: _____

Commercial building contractor Robert Kinsley (the same contractor for the
new visitors center at Gettysburg) will do the work of making the pedestal.
WHO WILL RECEIVE THE FUNDS IF GRANTED: _____

Capt. E.M. Ruhl, Camp #33 will receive the funds, and will use them along
with existing assets to pay for the pedestals.

The cost of the four pedestals is \$1,740.00, and does not include delivery and installation. The pedestals will be delivered to the York County Parks department, who will then install the pedestals and barrels.

Artillery tubes placed at Hanover Junction

By

[Scott Mingus](#)

on August 16, 2007 7:54 AM | [Permalink](#) | [Comments \(0\)](#)

The tiny hamlet of Hanover Junction in southern York County is perhaps best known today as a stop on the Rail Trail, with restrooms, parking, and shade. During the Civil War, it played an important role as both a railroad and telegraph interchange. A telegraphy school produced several well trained young operators who fanned out to other area telegraph offices, spreading the new form of communication. During the Gettysburg Campaign, these stations would provide an important linkage to relay messages to Federal commanders in Washington, Baltimore, York, and Harrisburg. Two railroads intersected at Hanover Junction, the north-south running Northern Central Railway and the east-west Hanover Branch Railroad. A cavalry raid in June 1863 temporarily suspended both telegraph and rail service.

Recently, local service organizations have undertaken a campaign to place some old Civil War-era cannons at Hanover Junction as a memorial. These vintage gun tubes used to adorn Penn Park in York. Here is an e-mail from Ivan Frantz, the secretary of the PDC, announcing the new Hanover Junction monument.

After being removed from Penn Park in York in 1975, and being in storage in various garages of Capt. E. M. Ruhl Camp #33 members for 32 years, the Model 1861 3" Ordnance rifles are now back on display. On Monday, August 6th, the four barrels were placed on new concrete pedestals at the Hanover Junction train station along the York County Northern Central Heritage Rail Trail.

Trunnion caps are still in the process of being made for the bases. The trunnion caps along with one more coat of fresh paint will be applied to the barrels in the near future. The members of Camp #33 and the Director of York County Parks are working on planning a rededication ceremony for the cannon barrels in the future after all of the work is done. Some type of sign explaining the barrels and the involvement of Ruhl Camp #33 is also being looked into for the future.

Although the Mayor of York wanted the barrels placed back in the city park, the members of Camp #33 would not do this because of the nature of the surrounding neighborhood. County parks was happy to have the barrels placed at Hanover Junction because of it's significance in Civil War history, particularly during the Gettysburg Campaign and Lincoln's visit to Gettysburg in November of 1863.

Ivan Frantz, Jr. PDC, Camp #33 Secretary



Four Three Inch Ordnance Rifles. This view was taken facing southeast at approximately 3:15 PM on Wednesday, December 3, 2008.



The wayside exhibit near them explains a little of their history. This view was taken facing northeast at approximately 3:15 PM on Wednesday, December 3, 2008.

wrought iron were wrapped around a core, and then reheatet.
Once the cannon cooled, the core was bored and the barrel rifled.



Photo: Collection of the York County Heritage Trust

The Guns of York

Congress awarded these four cannons to York in 1874. They originally stood guard in Penn Park, flanking the Soldiers and Sailors Memorial (shown in 1898). For protection against weather damage and vandalism, the cannons went into storage in 1975. They arrived at this site in 2007, on permanent loan from the Capt. Edgar M. Ruhl Camp #33 Sons of Veterans of the Civil War.

The guns were moved from York last year, after being in storage since 1975 to protect them from “weather damage and vandalism.” This view was taken facing northeast at approximately 3:15 PM on Wednesday, December 3, 2008.



The cannons are mounted on cement blocks. And to please the cannon fans out there, we decided to walk down the line and take pictures of the muzzle of each gun. We will start with the gun closest to us in this picture. This view was taken facing southeast at approximately 3:15 PM on Wednesday, December 3, 2008.

NATIONAL ORGANIZATION
SONS OF UNION VETERANS OF THE CIVIL WAR
CIVIL WAR MEMORIAL ASSESSMENT FORM

PLEASE:

- Type or print, using a ball-point pen, when filling out this form. Legibility is critical.
- Do not guess at the information. An answer of, "Unknown," is more helpful.
- Include a photograph of each viewable side and label it with name & direction of view.

- Thank You.

Type of Memorial

Monument *with* Sculpture
 Monument without Sculpture

^{4 CIVIL WAR} ~~Monument with Cannon~~ ^{BARRELS}
 Historical Marker Plaque

Affiliation

G.A.R. (Post Name & No. _____) M.O.L.L.U.S.
 W.R.C. (Corps Name & No. _____) Other Allied Order
 SUVCW (Camp Name & No. _____) (Please describe below)
 DUVCW (Tent Name & No. _____)

Other: CITY/COUNTY OF YORK, PA. CIVIL WAR MEMORIAL

Original Dedication Date 1875 Please consult any/all newspaper archives for a local paper's article that would have information on the first dedication ceremony and/or other facts on the memorial. Please submit a copy of your findings with full identification of the paper & date of publication. Thank you.

Location

The Memorial is *currently* located at: 4 CIVIL WAR CANNON ARE IN STORAGE.
Street/Road address or site location 559 W. JACKSON ST.
City/Village YORK, PA Township SPRING GARDEN County YORK

The front of the Memorial faces: North South East West

Government Body, Agency, or Individual Owner (of private cemetery that Memorial is located in)...
Name _____ Dept./Div. _____
Street Address _____
City _____ State _____ Zip Code _____
Contact Person _____ Telephone () _____

If the Memorial has been moved, please list former location(s)...
FORMER LOCATION - PENN COMMON, CITY PARK, YORK, PA.

Physical Details

NEW BASE WILL BE
Material of Monument or base under a Sculpture or Cannon = Stone Concrete Metal Undetermined
If known, name specific material (color of granite, marble, etc.) _____

Material of the Sculpture = ___ Stone ___ Concrete ___ Metal ___ Undetermined
If known, name specific material (color of granite, marble, etc.) _____
If the Sculpture is of metal, is it solid cast or "hollow?" _____

Material of Plaque or Historical Marker / Tablet = _____

Material of Cannon = ___ Bronze Iron - Consult known Ordnance Listing to confirm
Markings on muzzle = SEE ATTACHED INFORMATION SHEETS
Markings on Left Trunion _____ Right Trunion _____
Is inert ammunition a part of the Memorial? NO If so, describe _____

Approximate Dimensions (indicate unit of measure) - taken from tallest / widest points
Monument or Base: Height _____ Width _____ Depth _____ or Diameter _____
Sculpture: Height _____ Width _____ Depth _____ or Diameter _____

For Memorials with multiple Sculptures, please record this information on a separate sheet of paper for each statue and attach to this form. Please describe the "pose" of each statue and any weapons/implements involved (in case your photos become separated from this form). Thank you!

Markings/Inscriptions (on stone-work / metal-work of monument, base, sculpture)
Maker or Fabricator mark / name? If so, give name & location found _____

The "Dedication Text" is formed: ___ cut into material ___ raised up from material face

Record the text (indicate any separation if on different sides...) Please use additional sheet if necessary.

Environmental Setting

(The general vicinity and immediate locale surrounding a memorial can play a major role in its overall condition.)

WILL BE LOCATED IN
Type of Location
___ Cemetery Park ___ Plaza/Courtyard
___ "Town Square" ___ Post Office ___ School
___ Municipal Building ___ State Capitol Other: _____
___ Courthouse ___ College Campus _____
___ Traffic Circle ___ Library _____

General Vicinity

- Rural (low population, open land) Suburban (residential, near city)
 Town Urban / Metropolitan

Immediate Locale (check as many as may apply)

- Industrial Commercial
 Street/Roadside within 20 feet Tree Covered (overhanging branches)
 Protected from the elements (canopy or enclosure, indoors)
 Protected from the public (fence or other barrier)
 Any other significant environmental factor _____

Condition Information

Structural Condition (check as many as may apply)

The following section applies to Monuments *with* Sculpture, and Monuments without Sculpture - including the base for Monuments with *Cannon*. Instability in the sculpture and its base can be detected by a number of factors. Indicators may be obvious or subtle. Visually examine the sculpture and its base.

	Sculpture		Base
If hollow, is the internal support unstable/exposed? (look for signs of exterior rust)	—	ARE NEW CONCRETE BASES BEING MANUFACTURED.	—
Any evidence of structural instability? (look for cracked joints, missing mortar or caulking or plant growth)	—		—
Any broken or missing parts? (look for elements (i.e., sword, musket, hands, arms, etc. - missing due to vandalism, fluctuating weather conditions, etc.)	—		—
Any cracks, splits, breaks or holes? (also look for signs of uneven stress & weakness in the material)	—		—

Surface Appearance (check as many as may apply)

	Sculpture		Base
Black crusting	—	ARE NEW CONCRETE BASES BEING MANUFACTURED.	—
White crusting	—		—
Etched, pitted, or otherwise corroded (on metal)	—		—
Metallic staining (run-off from copper, iron, etc.)	—		—
Organic growth (moss, algae, lichen or vines)	—		—
Chalky or powdery stone	—		—
Granular eroding of stone	—		—
Spalling of stone (surface splitting off)	—		—
Droppings (bird, animal, insect remains)	—		—
Other (e.g., spray paint graffiti) - Please describe...	—		—

Does water collect in recessed areas of the Memorial? Yes No Unable to tell

THE 4 CANNON BARRELS ARE PAINTED

Surface Coating

Does there appear to be a coating? ___ Yes ___ No ___ Unable to determine

If known, identify type of coating.

___ Gilded Painted ___ Varnished ___ Waxed ___ Unable to determine

Is the coating in good condition? ___ Yes ___ No ___ Unable to determine

Basic Surface Condition Assessment (check one)

In your opinion, what is the general appearance or condition of the Memorial?

___ Well maintained ___ Would benefit from treatment ___ In urgent need of treatment ___ Unable to determine

Overall Description

Briefly describe the Memorial (affiliation / overall condition & any concern not already touched on).

4 CANNON ARE BEING RE-LOCATED TO A DIFFERENT
PARK FROM ORIGINAL, AND WILL BE MOUNTED ON
NEW CONCRETE PEDESTALS. SEE ATTACHED
DOCUMENTATION.

Supplemental Background Information

In addition to your on-site survey, any additional information you can provide on the described Memorial will be welcomed. Please label each account with its source (author, title, publisher, date, pages). Topics include any reference to the points listed on this questionnaire, plus any previous conservation treatments - or efforts to raise money for treatment. Thank you.

Inspector Identification

Date of On-site Survey

Your Name IVAN E. FRANTZ, JR., PDC, PA.

Address 1126 HANOVER RD. City YORK

State PA Zip Code 17408-6218 Telephone 

Please send this completed form to:

Todd A. Shillington, PDC



Thank you for your help, and attention to detail.

SONS OF UNION VETERANS OF THE CIVIL WAR
National Civil War Memorials Committee

The County Commissioners of York County

BOARD OF COMMISSIONERS

CHARLES A. STEIN, JR.
2815 CAMBRIDGE ROAD
YORK, PA. 17402

WILLIAM C. MCKINLEY
R.D. #2
RED LION, PA. 17356

CARROLL H. LEPPA
251 LYNBROOK DRIVE
YORK, PA. 17402



COURT HOUSE
28 EAST MARKET STREET
YORK, PENNSYLVANIA 17401
TELEPHONE: 848-3301

CLARENCE H. GOTWALT
CHIEF CLERK

GORDON A. ROE
SOLICITOR

JON C. COUNTESS
ASST. SOLICITOR

JOHN D. FLINCHBAUGH
ASST. SOLICITOR

December 31, 1975

Mr. Ivan Frantz, Sec. Treas.
559 W. Jackson St.
York, Pa.

Dear Mr. Frantz:

At the Commissioners meeting this date, it was approved to have the care, custody, and control of the four 3rd ordinance pieces which have been on display in Penn Common, given to Capt. E.M. Ruhl, No. 33 Camp, Sons of Union Veterans of Civil War, 1861-1865.

Very truly yours,

YORK COUNTY COMMISSIONERS

Charles A. Stein, Jr.
Charles A. Stein, Jr.
President

CAS/nlb

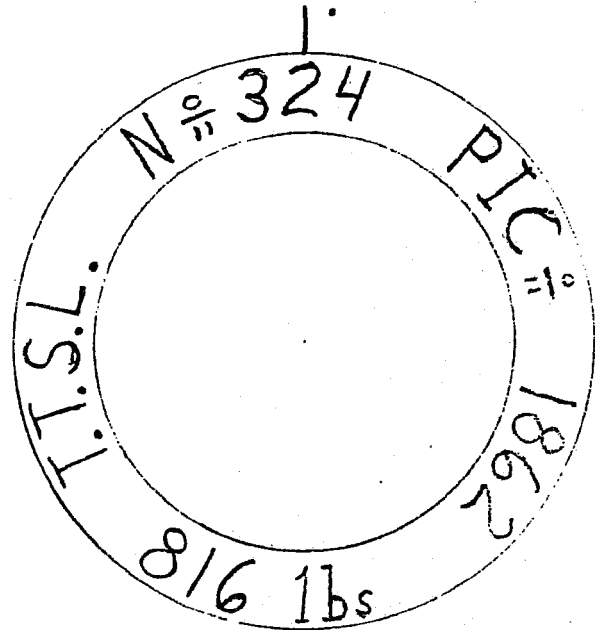
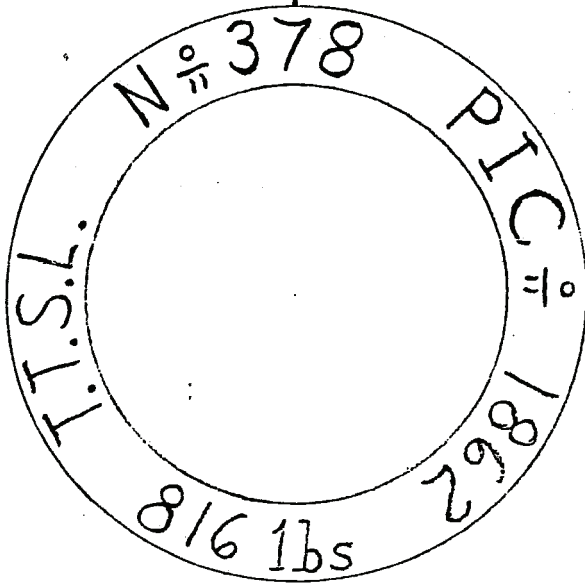
Muzzle Markings as follows;

No. 8	P.I.C.	1861	809 lbs.	T.T.S.L.
No. 286	P.I.C.	1862	816 lbs.	T.T.S.L.
No. 324	P.I.C.	1862	816 lbs	T.T.S.L.
No. 378	P.I.C.	1862	816 lbs	T.T.S.L.

Muzzle markings of the 4 field piece barrels



Reference point of front sight.

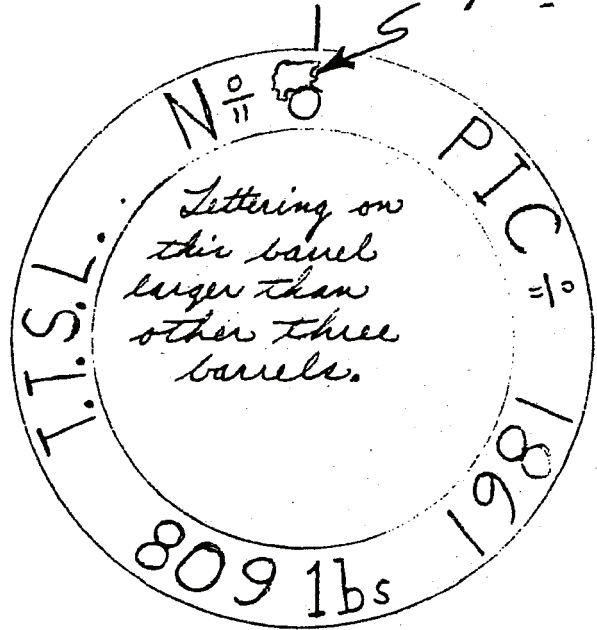
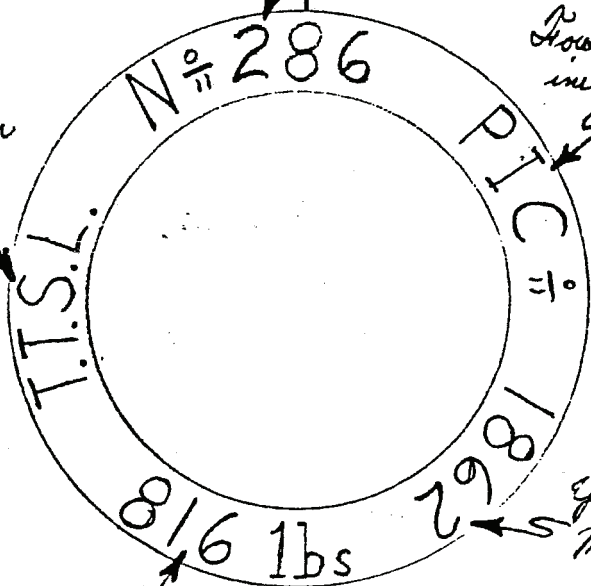


Serial no.

TOP OF NO. PITTED.
No. 8

Inspector initials

Foundry initials



Year of Manuf.

Barrel weight

Four barrels of 3 inch ordnance pieces in the care, custody and control of Capt. Edgar M. Ruhl Camp #33, Sons of Union Veterans of the Civil War, York, Pennsylvania. Ivan E. Frantz, Sr. Camp Secretary, 559 West Jackson Street, York, Pa. 17403 . March 1976.

Sons of Union Veterans of Civil War, 1861-1865

York, Penna.

September, 29th, 1942.



To the Hon. Mayor and
Members of City Council,
York, Pa.

Gentlemen;

At a recent meeting of Captain E. M. Ruhl Camp No. 33 Sons of Union Veterans of the Civil War, I was directed to call your attention to the fact that the field pieces or cannon now on Penn Common, are the property of Camp No. 33 and have been for many years.

The York Dispatch in their publication of Sept. 4th., 1942, printed the following article.

40 YEARS AGO TODAY.

"General John Sedgwick Post No. 37, Grand Army of the Republic, transferred to Captain Edgar M. Ruhl Camp No. 33, Sons of Veterans of the Civil War, the cannon purchased by the post at a cost of \$300. A ceremony marking the transfer was held on Penn Common, the two organizations, headed by the Spring Garden band, paraded to the Common."

It appears that no one connected the ownership of these cannon with our camp and we feel certain that after giving you this information, you will not attempt to dispose of our property.

If and when the time arrives that the Federal Government decided to scrap the cannon on our National Civil War Battle-fields, or memorials erected to the memory of Union Veterans of the Civil War, we will then willingly donate these cannon to the duly authorized official.

Yours very truly,

Jos M Owens
Secretary.

prior to the thirty-first day of July, eighteen hundred and seventy-two: *Provided*, That the owner of such merchandise shall, within thirty days from the passage of this act make application therefor in writing to the collector of the port at which such merchandise arrived." Application to be made within thirty days.

Approved, June 3, 1874.

CHAP. 204.—An act donating condemned cannon and cannon-balls to the posts of the Grand Army of the Republic of Philadelphia and other associations, for monumental purposes.

June 3, 1874.

Be it enacted by the Senate and House of Representatives of the United States of America in Congress assembled, That the Secretary of War be, and he hereby is, authorized to deliver, if the same can be done without detriment to the Government, two condemned cannon and eight cannon-balls to each of the following-named organizations, for the purpose of ornamenting burial-grounds of deceased soldiers: To the post numbered two, Grand Army of the Republic, of Philadelphia, Pennsylvania; to the post numbered five, Grand Army of the Republic, of Philadelphia, Pennsylvania; to the post numbered six, Grand Army of the Republic, of Philadelphia, Pennsylvania; to the post numbered seven, Grand Army of the Republic, Philadelphia, Pennsylvania; to the post numbered eight, Grand Army of the Republic, of Philadelphia, Pennsylvania; to the post numbered ten, Grand Army of the Republic, of Philadelphia, Pennsylvania; to the post numbered seventy-one, Grand Army of the Republic, of Philadelphia, Pennsylvania; to the post numbered nineteen, Grand Army of the Republic, of Philadelphia, Pennsylvania; and four condemned cannon and sixteen cannon-balls to each of the following organizations, namely: To the corporate authorities of the town of Winterport, State of Maine; to the Soldiers' Monument Association of Henderson County, State of Illinois; to the Northumberland county Monument Association of Pennsylvania; to Fuller post No seventy-four, Grand Army of the Republic, Catasauqua, Pennsylvania; to Delaware county Soldiers and Sailors' Monument Association, at Chester, Pennsylvania; to Chapman Post, No sixty one, Grand Army of the Republic at Mauch Chunk, Pennsylvania; to Doubleday Post, No one hundred and eighty-nine, of the Grand Army of the Republic at Tamagua, Pennsylvania; to the Monumental Association at York, Pennsylvania; to post No thirty, Grand Army of the Republic, at Cambridge, Massachusetts; to post No. sixty-eight, Grand Army of the Republic at Boston, Massachusetts; to the Soldiers' Monument Association at Springfield, Massachusetts; to post No. one hundred and twenty-two Grand Army of the Republic, at Amesbury, Massachusetts; to the Trustees of the Soldiers' Monument Fund, at Akron, Ohio; to the officers of the Soldiers' Monument Association at Chalmette, Louisiana; to the Soldiers' Monument Association at Pomeroy, Ohio; to post No. sixty-three, Grand Army of the Republic, at Natick, Massachusetts; to post No. five, Grand Army of the Republic, at Morgantown, West Virginia; to post No. eighty-nine, Grand Army of the Republic, at Beverly, Massachusetts; to the Soldiers' Monument Association at Binghamton, New York; and to the Soldiers' Monument Association at Alliance, Ohio.

Condemned cannon granted to various organizations for monumental purposes.

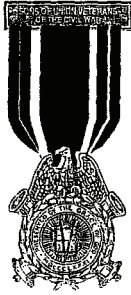
Approved, June 3, 1874.

CHAP. 205.—An act to provide for the better protection of the frontier settlements of Texas against Indian and Mexican depredations.

June 3, 1874.

Be it enacted by the Senate and House of Representatives of the United States of America in Congress assembled, That the Secretary of War be, and he is hereby, authorized to construct and operate a line of telegraph, beginning at or near the city of Denison, in Grayson county, Texas; thence by the nearest practicable route to Fort Sill, Indian Territory;

Construction of telegraph in Texas and Indian Territory to connect military posts.



Captain E. M. Ruhl, Camp No. 33
Sons of Union Veterans of the Civil War
York, Pennsylvania

Ivan E. Frantz, Jr.
Camp Secretary/Treasurer
1126 Hanover Road

April 7, 2007

Mr. Tom Brant, Administrator
York County Parks
400 Mundis Race Road
York, Pa. 17402

Dear Tom,

Thank you for taking the time to meet with me on Monday, April 2nd at Hanover Junction. I think we both understand what Ruhl Camp #33 would like to do with the four Model 1861 3" Ordnance Rifle cannon barrels that we have to get them back on public display in an appropriate setting that is connected with the Civil War history of York County.

The four cannon were first given to the "Monumental Association" in York by an act of the 43rd Congress, dated June 3, 1874. The "Monumental Association" was the committee of General John A. Sedgewick, Post #37, Grand Army of the Republic that was responsible for erecting the Civil War Monument that still sets on Penn Common, across College Avenue from William Penn Sr. High School. Post #37 of the G.A.R. spent the sum of \$300.00 to place those cannon barrels on carriages at the four corners of the Civil War Monument.

Because the members of G.A.R. Post #37 were advancing in age, and the Post membership was slowly dying out, on September 4th, 1902 the G.A.R. Post turned ownership of the cannon over to Ruhl Camp #33. This was noted in the YORK DISPATCH of that date which reported the parade to Penn Common and participation of the Spring Garden Band.

By 1975 the carriages that the cannon barrels sat on had become very heavily damaged from vandalism. The Camp did not have money to purchase new carriages at that time. The Camp approached the City to see what could be done, and the City claimed they could do nothing with the four cannon. The Camp also approached the County at that time, and the County had no funds to help because Penn Common is a City park. In any case, the County bridge crew removed the four cannon barrels and the remaining pieces of the four carriages from Penn Park and turned them over to Ruhl Camp #33. Please see the attached letter dated December 31, 1975 by then President Commissioner Charles Stein, Jr.

For over 30 years now these barrels have remained in storage in the garages of several Camp members. The Camp has looked into the funds to get new carriages, but this cost is prohibitive with four carriages costing about a total of \$ 40,000 - \$ 45,000 dollars. Instead the Camp has come up with a design for a cast concrete pedestal to sit the four barrels on, which is affordable for the Camp to have made. The design is based on granite pedestals that four cannon barrels sit on in the "Soldier's Circle" at Prospect Hill Cemetery. These pedestals will work very well, and being of cast concrete should be an item that requires minimal maintenance.

Even though it is noted that the original G.A.R. Post Committee paid \$ 300 dollars for the barrels, that was to cover the cost of transportation and mounting the barrels on carriages. The original act of Congress notes that the barrels would be donated for use "if same can be done without detriment to the Government." In all legality, the four cannon are still U.S. Government property, and still "subject to recall by the Secretary of War" (today the Secretary of Defense).

Because of this, Capt. Edgar M. Ruhl, Camp #33, Sons of Union Veterans of the Civil War would like to place the four Model 1861 3" Ordnance Rifle cannon barrels, mounted on cast concrete pedestals, on PERMANENT LOAN for monumental display purposes at the Hanover Junction train station along the Northern Central Heritage Rail Trail. The Camp voted unanimously to take this action at our regular Camp meeting on March 19, 2006. The Civil War connection and history of this site makes it an appropriate place to display these Civil War artifacts. Hanover Junction is a location that will not subject the cannon to further abuse and vandalism like the location of Penn Common has in the past.

I thank you for your consideration in this matter and look forward to your reply.

Sincerely,

Ivan E. Frantz, Jr., Secretary
Captain Edgar M. Ruhl, Camp #33
Sons of Union Veterans of the Civil War



Captain E. M. Ruhl, Camp No. 33
Sons of Union Veterans of the Civil War
York, Pennsylvania

Ivan E. Frantz, Jr.
Camp Secretary/Treasurer
1126 Hanover Road
[REDACTED]

April 7, 2007

Mr. Tom Brant, Administrator
York County Parks
400 Mundis Race Road
York, Pa. 17402

Dear Tom,

Thank you for taking the time to meet with me on Monday, April 2nd at Hanover Junction. I think we both understand what Ruhl Camp #33 would like to do with the four Model 1861 3" Ordnance Rifle cannon barrels that we have to get them back on public display in an appropriate setting that is connected with the Civil War history of York County.

The four cannon were first given to the "Monumental Association" in York by an act of the 43rd Congress, dated June 3, 1874. The "Monumental Association" was the committee of General John A. Sedgewick, Post #37, Grand Army of the Republic that was responsible for erecting the Civil War Monument that still sets on Penn Common, across College Avenue from William Penn Sr. High School. Post #37 of the G.A.R. spent the sum of \$300.00 to place those cannon barrels on carriages at the four corners of the Civil War Monument.

Because the members of G.A.R. Post #37 were advancing in age, and the Post membership was slowly dying out, on September 4th, 1902 the G.A.R. Post turned ownership of the cannon over to Ruhl Camp #33. This was noted in the YORK DISPATCH of that date which reported the parade to Penn Common and participation of the Spring Garden Band.

By 1975 the carriages that the cannon barrels sat on had become very heavily damaged from vandalism. The Camp did not have money to purchase new carriages at that time. The Camp approached the City to see what could be done, and the City claimed they could do nothing with the four cannon. The Camp also approached the County at that time, and the County had no funds to help because Penn Common is a City park. In any case, the County bridge crew removed the four cannon barrels and the remaining pieces of the four carriages from Penn Park and turned them over to Ruhl Camp #33. Please see the attached letter dated December 31, 1975 by then President Commissioner Charles Stein, Jr.

For over 30 years now these barrels have remained in storage in the garages of several Camp members. The Camp has looked into the funds to get new carriages, but this cost is prohibitive with four carriages costing about a total of \$ 40,000 - \$ 45,000 dollars. Instead the Camp has come up with a design for a cast concrete pedestal to sit the four barrels on, which is affordable for the Camp to have made. The design is based on granite pedestals that four cannon barrels sit on in the "Soldier's Circle" at Prospect Hill Cemetery. These pedestals will work very well, and being of cast concrete should be an item that requires minimal maintenance.

Even though it is noted that the original G.A.R. Post Committee paid \$ 300 dollars for the barrels, that was to cover the cost of transportation and mounting the barrels on carriages. The original act of Congress notes that the barrels would be donated for use "if same can be done without detriment to the Government." In all legality, the four cannon are still U.S. Government property, and still "subject to recall by the Secretary of War" (today the Secretary of Defense).

Because of this, Capt. Edgar M. Ruhl, Camp #33, Sons of Union Veterans of the Civil War would like to place the four Model 1861 3" Ordnance Rifle cannon barrels, mounted on cast concrete pedestals, on PERMANENT LOAN for monumental display purposes at the Hanover Junction train station along the Northern Central Heritage Rail Trail. The Camp voted unanimously to take this action at our regular Camp meeting on March 19, 2006. The Civil War connection and history of this site makes it an appropriate place to display these Civil War artifacts. Hanover Junction is a location that will not subject the cannon to further abuse and vandalism like the location of Penn Common has in the past.

I thank you for your consideration in this matter and look forward to your reply.

Sincerely,

Ivan E. Frantz, Jr., Secretary
Captain Edgar M. Ruhl, Camp #33
Sons of Union Veterans of the Civil War



York County Department of Parks and Recreation

ADMINISTRATIVE HEADQUARTERS: 400 Mundis Race Road, York, PA 17406-9721

Phone: 717.840.7440

Fax: 717.840.7403

E-mail: parks@york-county.org

Website: <http://www.york-county.org>

Nixon County Park Nature Center

5922 Nixon Drive

York, PA 17403-9677

717.428.1961

Thomas R. Brant
Executive Director

May 4, 2007

Mr. Ivan Frantz, Jr.
Camp Secretary/Treasurer
Captain Edgar M. Ruhl, Camp #33
Sons of Union Veterans of the Civil War
1126 Hanover Road
York, PA 17408

RE: Permanent Loan of Four (4) Cannon Barrels at Hanover Junction Train Station

Dear Mr. Frantz:

I am in receipt of your letter, dated April 7, 2007, offering four (4) original Model 1861 3" Ordnance Rifle cannon barrels mounted on cast concrete pedestals on Permanent Loan for monumental display purposes at the County of York's Hanover Junction Train Station along the Heritage Rail Trail County Park in North Codorus Township.

Your April 7th letter and accompanying documentation was presented to the County of York's Chief Clerk/Administrator and then forwarded to the Board of Commissioners for consideration. In addition, it was conveyed that there would be no cost to the County for the placement and permanent loan agreement.

Therefore, this letter serves as our interest in accepting this gift and proceeding with this project. Please contact me for detailed placement at Hanover Junction and completing the necessary paperwork for the Permanent Loan agreement.

Thank you for bringing this opportunity of public displaying of these important historic artifacts. I am available at 717-840-7411 to finalize the details to bring this project to fruition at the Hanover Junction Train Station.

Sincerely,

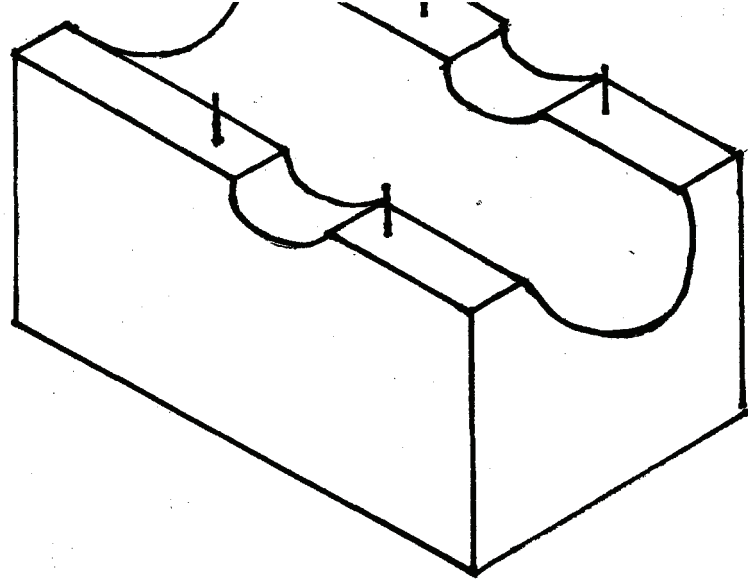
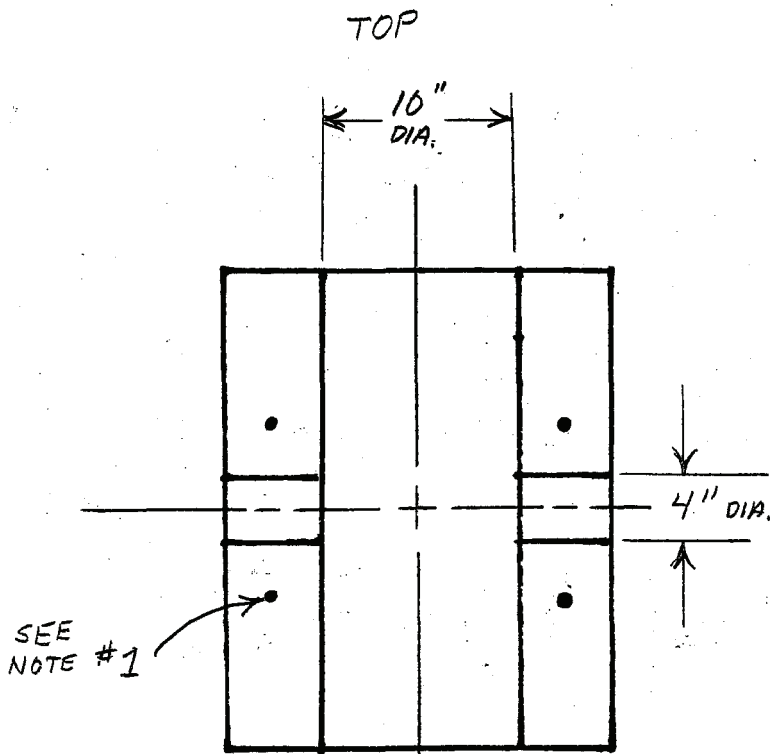
Thomas R. Brant
Executive Director

Cc: York County Board of Commissioners



Apollo • Heritage Rail Trail • John C. Rudy • Rocky Ridge • Spring Valley • P. Joseph Raab • William H. Kain • Richard M. Nixon • Wallace-Cross Mill

Things of Beauty Are Joys Forever

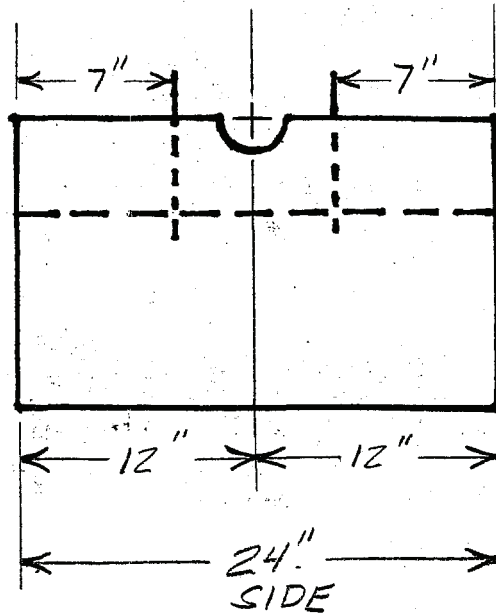
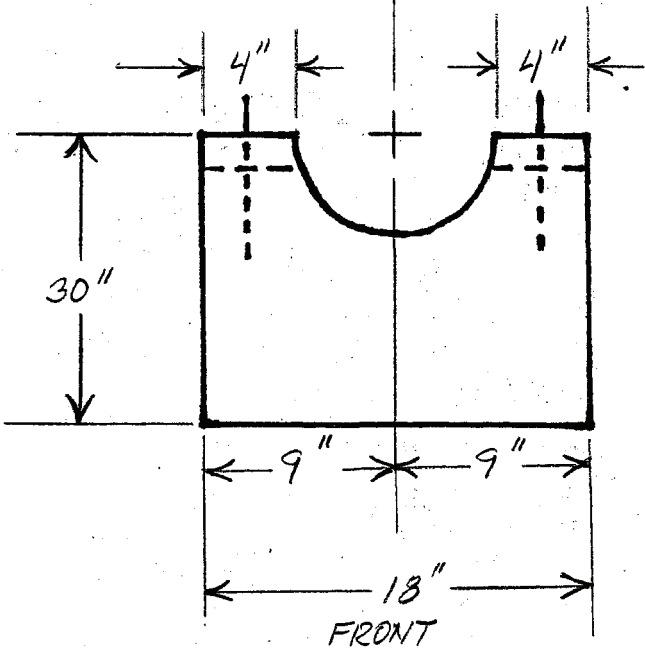


CANNON PEDESTAL

NOTE #1 - ④ 5/8" THREADED STUDS, INSERTED INTO CONCRETE 12", WITH 2" REMAINING EXPOSED ABOVE TOP OF CONCRETE.

TOTAL LENGTH 14".

TO ALLOW FOR TRUNNION RETAINING CAPS.



NOT TO SCALE



Captain E. M. Ruhl, Camp No. 33
Sons of Union Veterans of the Civil War
York, Pennsylvania

Ivan E. Frantz, Jr.
Camp Secretary/Treasurer
1126 Hanover Road
York, Pa. 17408

Dear Sirs:

Ruhl Camp #33 is applying for a Civil War memorials grant in the amount of \$ 500.00 from the National Organization. This money will be used to place back on display four Model 1861 3" Ordnance rifle cannon barrels that the Camp has had in storage for more than 25 years.

We realize that this is not the normal situation in applying for a grant in this manner. Copies of supporting documentation are included to show the history of the cannon barrels that are involved.

Copies of the necessary papers are being sent to the:
National Secretary
National Civil War memorials Officer
SUVCW Memorials Grant Committee

We thank you for your consideration in this matter and look forward to your reply.

In Fraternity, Charity, and Loyalty,

Ivan E. Frantz, Jr., Pa. PDC, Camp Secretary

**SONS OF UNION VETERANS OF THE CIVIL WAR
CIVIL WAR MEMORIAL FUND REQUEST**

(FORM CWM #62)
Requester Information

CAMP AND DEPARTMENT NAME: Capt. Edgar M. Ruhl, Camp #33, Pennsylvania Dept.
(Please print or type)

ADDRESS: 1126 Hanover Road, York, Pa. 17408-6218

CITY: York

STATE: Pennsylvania ZIP CODE: 17408-6218

NAME OF CONTACT PERSON: Ivan E. Frantz, Jr., PDC, Camp Secretary

ADDRESS: 1126 Hanover Road

CITY: York

STATE: Pennsylvania ZIP CODE: 17408-6218

PHONE(S): 

Memorial or Monument Information

NAME OF MEMORIAL: Four (4) Model 1861 3" Ordnance Rifle cannon barrels
from the Civil War Memorial on Penn Common in York, Pa.

LOCATION: (Name and address of cemetery or other location description, such as, corner of 3rd and Lincoln Street) _____

Cannon barrels to be re-located to the Hanover Junction train station
along the Northern Central Heritage Rail Trail in York County, Pa.

WHEN WAS IT BUILT: The Hanover Junction train station was built in 1848.

WHO OWNS IT: The County of York, Pennsylvania

WHO IS FINANCIALLY RESPONSIBLE FOR IT: York County Pa. Dept. of Parks

ARE MATCHING FUNDS AVAILABLE: NO FROM WHERE: _____

ARE OTHER SOURCES OF FUNDS AVAILABLE: YES FROM WHERE: Some funds are available from Camp #33 assets.

AMOUNT BEING REQUESTED: \$ 500.00

DESCRIBE WORK THAT THESE FUNDS ARE NEEDED FOR: (Be specific, use back if necessary)

Funds will be used to pay for the manufacture of new cast concrete on which to mount the four (4) Model 1861 3" Ordnance Rifle cannon barrels. These cannon barrels used to sit on carriages that had become heavily vandalized, and had collapsed under the weight of the barrels. It was decided to re-mount the barrels on cement pedestals because of them being much less cost, and not as much of a maintenance problem as carriages.

WHO EVALUATED THE NEED FOR THE WORK AND WHAT ARE THEIR QUALIFICATIONS: _____

Camp members, York County Parks Executive Director Tom Brant, and Northern

Central Heritage Rail Trail Supervisor Gwenn Loose
WHO WILL DO THE WORK DESCRIBED AND WHAT ARE THEIR QUALIFICATIONS: _____

Commercial building contractor Robert Kinsley (the same contractor for the new visitors center at Gettysburg) will do the work of making the pedestal.

WHO WILL RECEIVE THE FUNDS IF GRANTED: _____

Capt. E.M. Ruhl, Camp #33 will receive the funds, and will use them along with existing assets to pay for the pedestals.

The cost of the four pedestals is \$1,740.00, and does not include delivery and installation. The pedestals will be delivered to the York County Parks department, who will then install the pedestals and barrels.